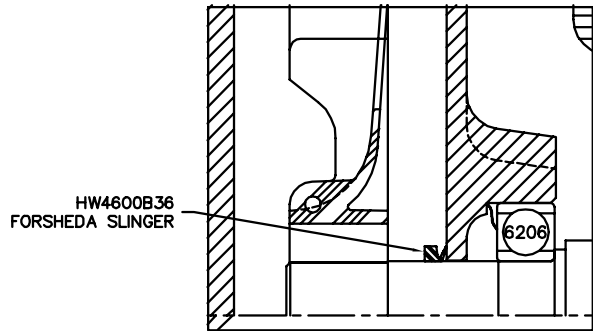
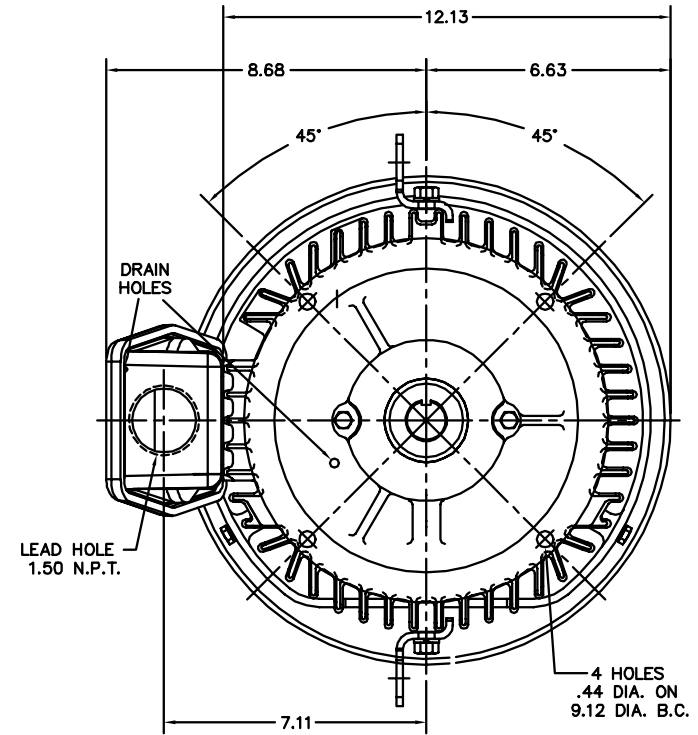
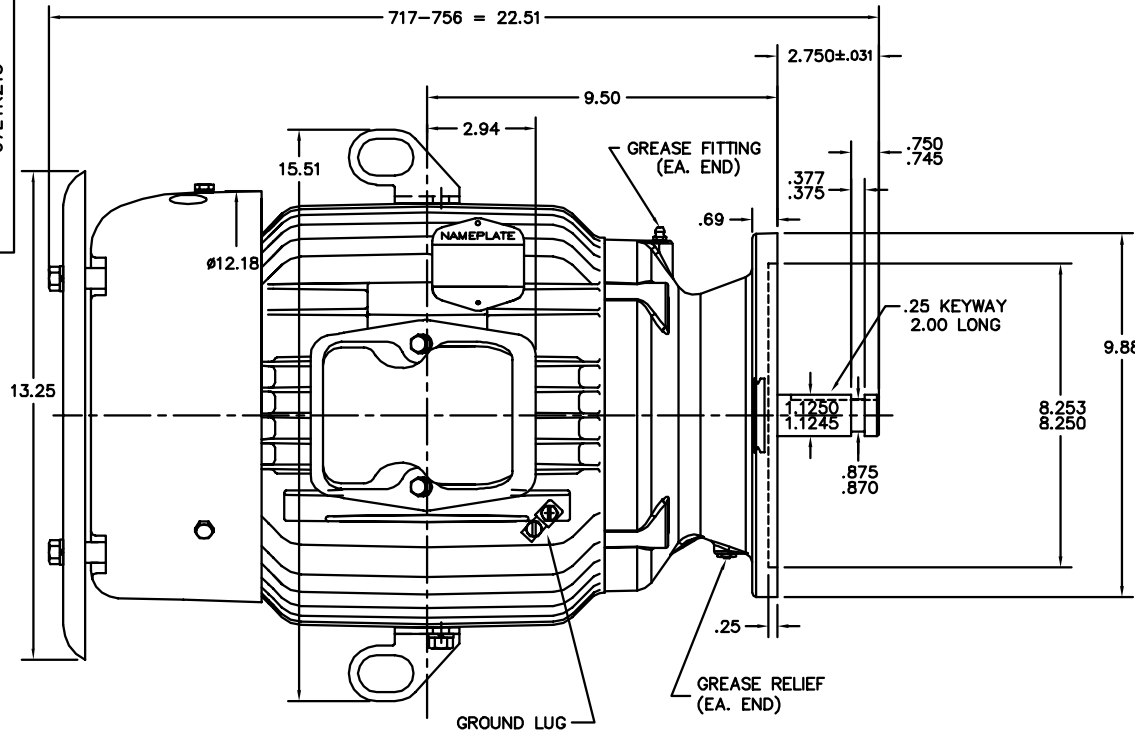
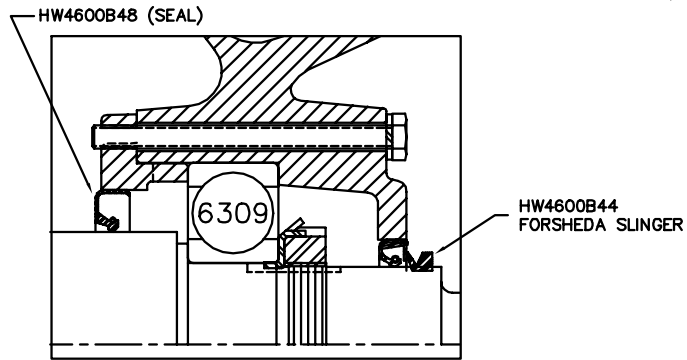


07LYK215



FRONT END DETAIL



PULLEY END DETAIL

CUSTOMER IS RESPONSIBLE FOR DETERMINING THAT BALDOR'S PRODUCT WILL PERFORM SUITABLY IN THE INTENDED APPLICATION.

REV. DESC: CHANGE GDR LUG CALLOUT		
REV. LTR: G	VERSION: 07	TDR: 00001029647
FILE: \AAA\00123\254	REVISED: 09:38:08 05/24/2017	BY: USZAHAR
MTL: -		

**BALDOR**

VER 213-5HP TEFC 307M (ECP 32-6), 309 PU BRG

SH 1 of 1

07LYK215