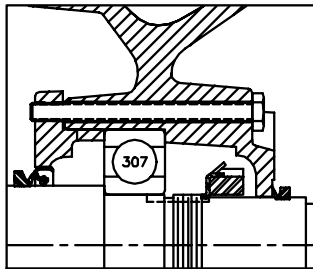
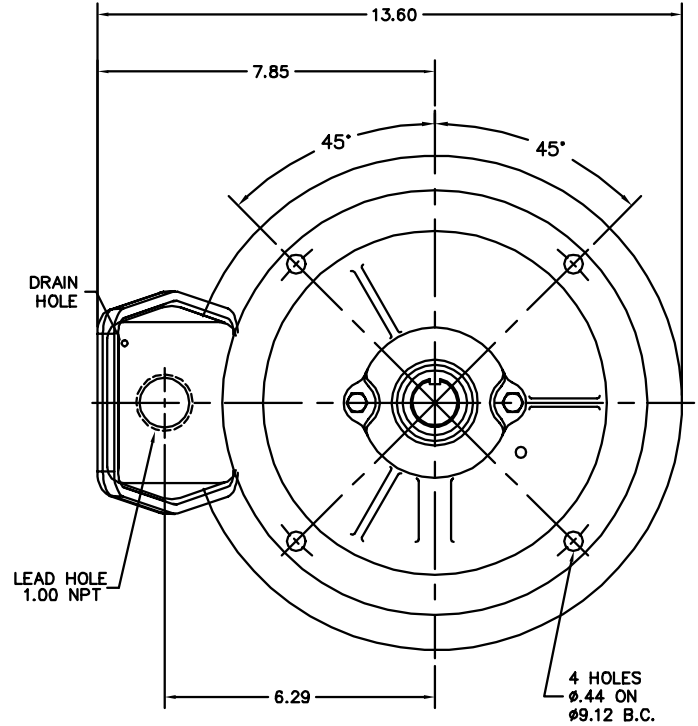
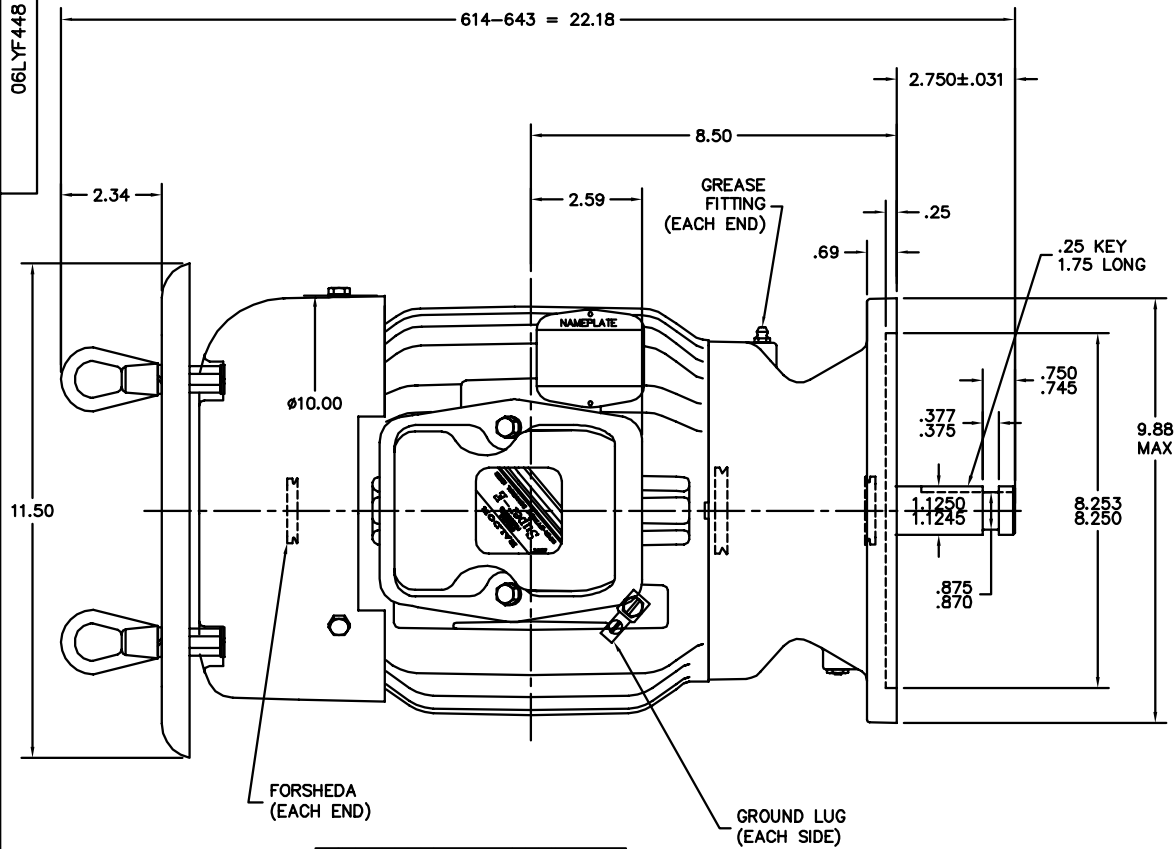


06LYF448



CUSTOMER IS RESPONSIBLE FOR DETERMINING THAT BALDOR'S PRODUCT WILL PERFORM SUITABLY IN THE INTENDED APPLICATION.

REV. DESC: CHANGE C-DIM	VERSION: 07	TDR: 000000821633
REV. LTR: H	REVISED: 01:10:33 10/09/2013	BY: ENKANVO
FILE: \AAA\00053\286		
MTL: -		

**BALDOR**

STD VERT 182-4HP/VP TEFC 306M (ECP) S/P #32-6

SH 1 of 1

06LYF448