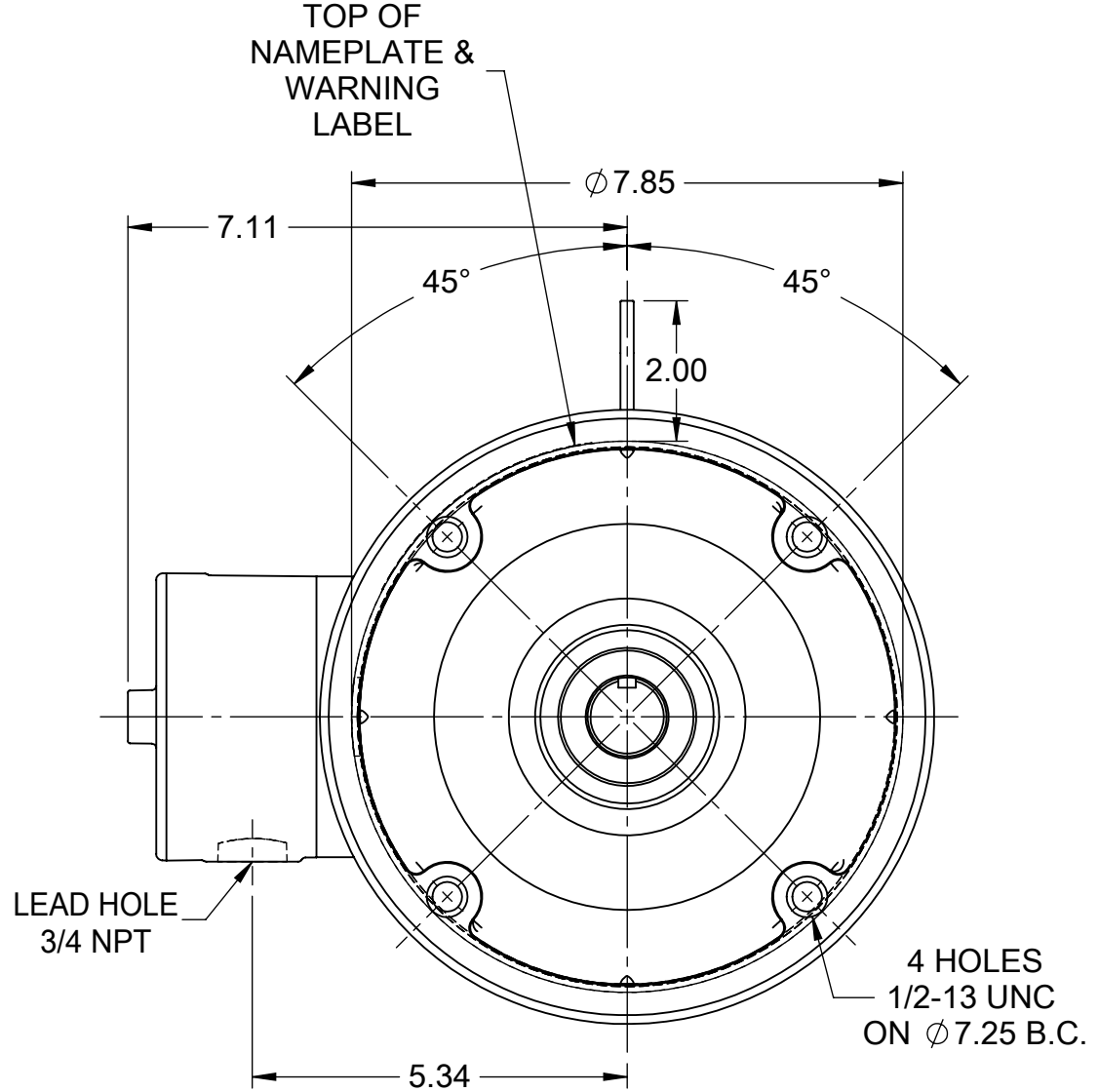
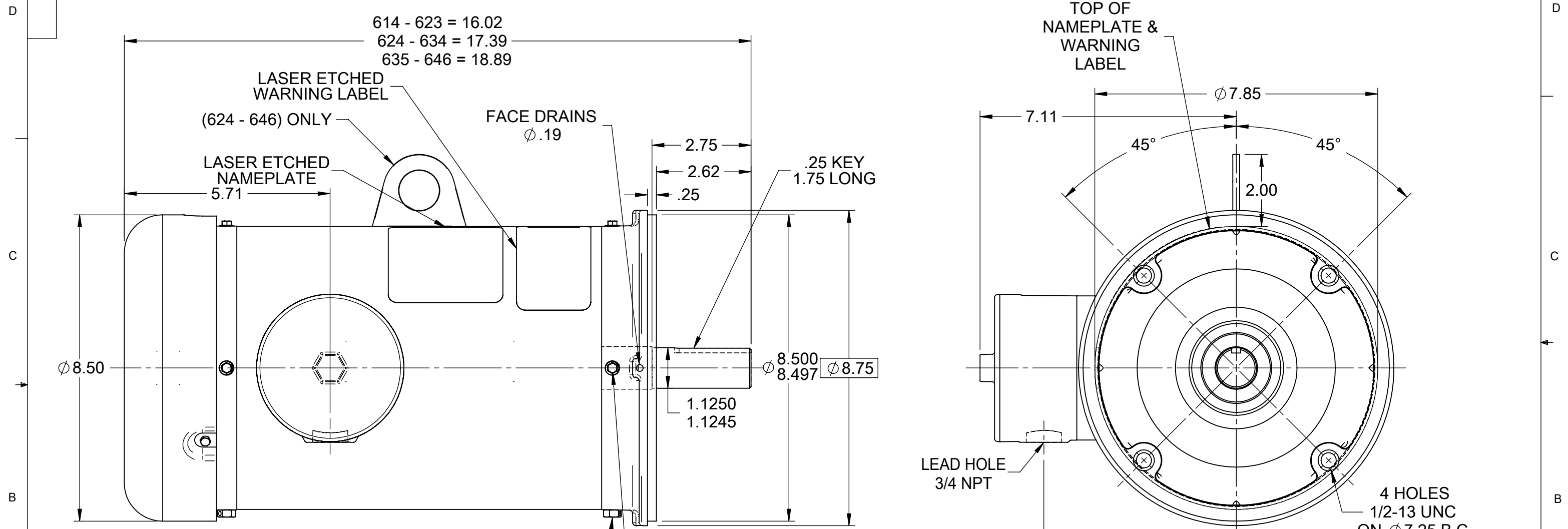
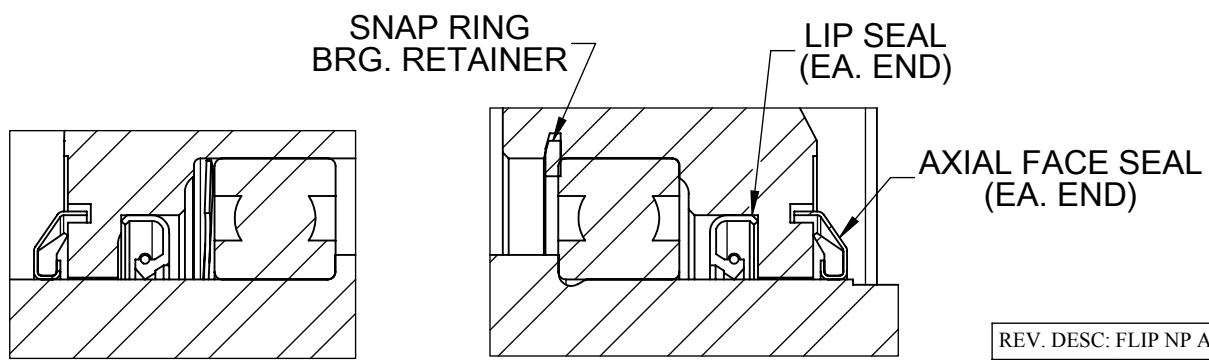


8 7 6 5 4 3 2 1

36LYR533



D
C
B
A



FRONT END DETAIL

PULLEY END DETAIL

CUSTOMER IS RESPONSIBLE FOR DETERMINING THAT BALDOR'S PRODUCT WILL PERFORM SUITABLY IN THE INTENDED APPLICATION

REV. DESC: FLIP NP AND WARNING LABEL POSITIONS			
REV: B	VERSION: 02	REVISED: 02:20:23 10/17/2018	TDR: 000001088334
MODEL NO. 36LYR533			REF: -
BY: ENWINB0			B

BALDOR

VERT 182-4TC TEFC M WD11/12

36LYR533

8 7 6 5 4 3 2 1