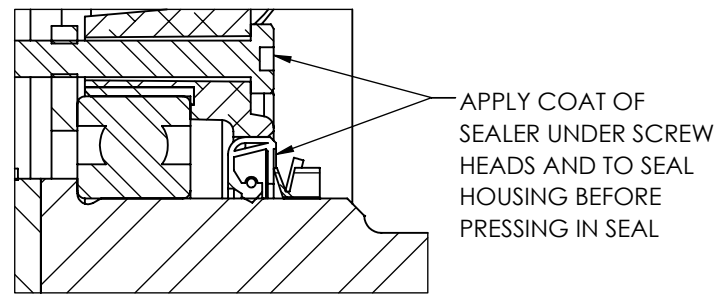
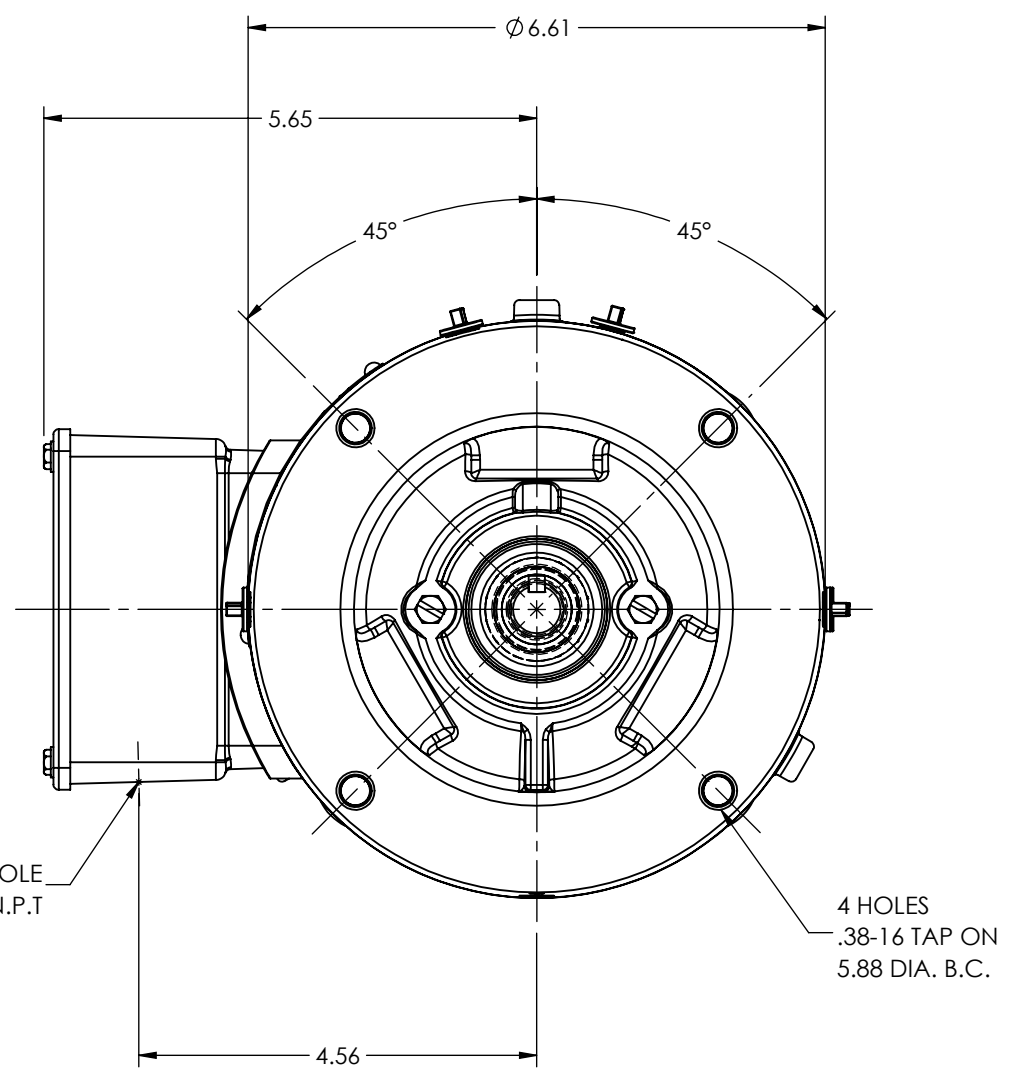
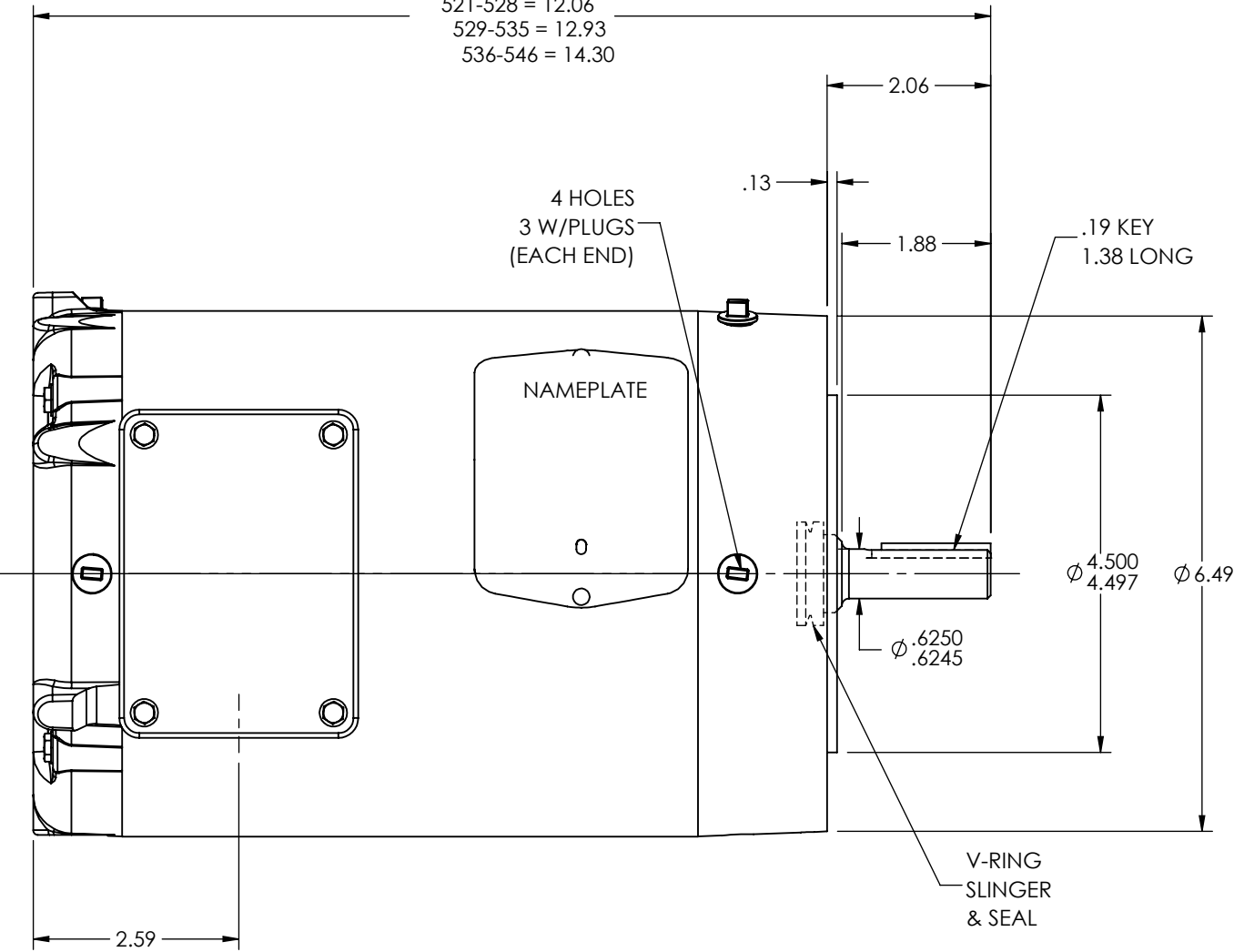


8 7 6 5 4 3 2 1

35LYS603

510-520 = 11.05  
 521-528 = 12.06  
 529-535 = 12.93  
 536-546 = 14.30



PULLEY END DETAIL

D  
 C  
 B  
 A

D  
 C  
 B  
 A