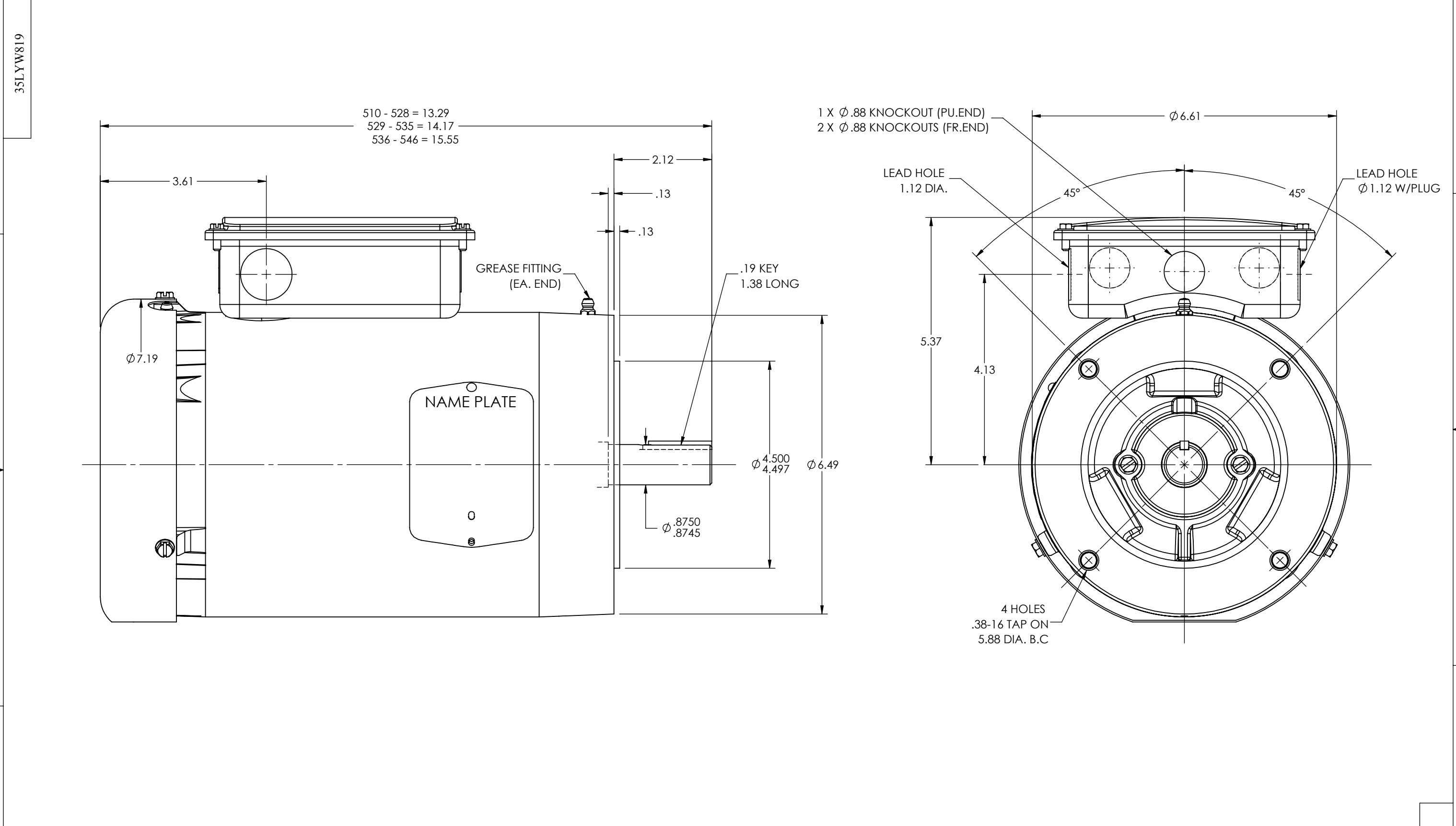


8 7 6 5 4 3 2 1



CUSTOMER IS RESPONSIBLE FOR DETERMINING THAT BALDOR'S PRODUCT WILL PERFORM SUITABLY IN THE INTENDED APPLICATION

REV. DESC: LOADING OF SWD DWG FOR 2D TO 3D CONVERSION			
REV: C	VERSION: 03	REVISED: 09:49:39 10/31/2018	TDR: 000001089746
MODEL NO. 35LYW819			REF: -
BY: ENALEM0	Material: -	B	

**BALDOR - RELIANCE®**

VERT 143-5TC TEFC M W/35CB4007

SH 1 of 1

35LYW819

8 7 6 5 4 3 2 1