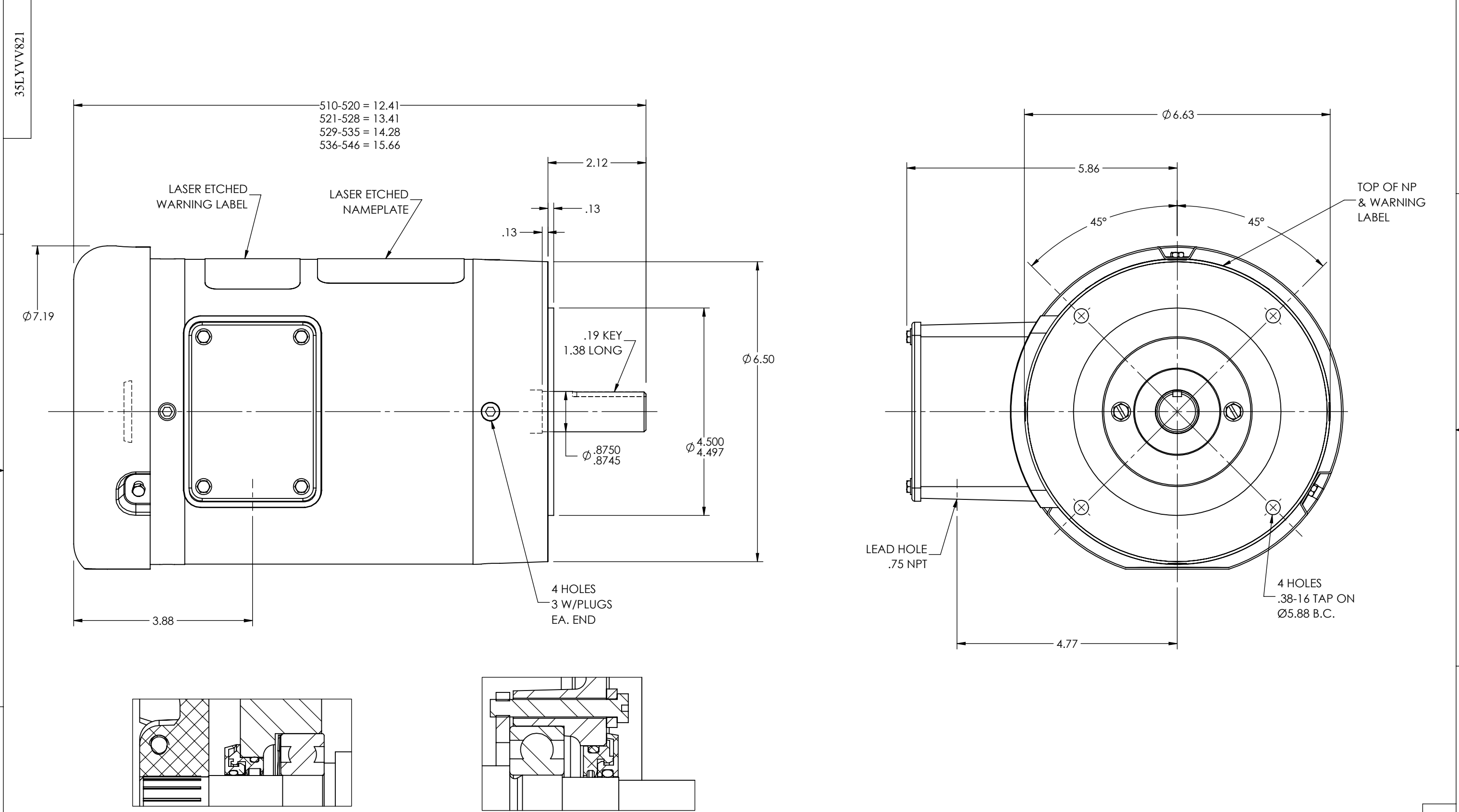


8 7 6 5 4 3 2 1



CUSTOMER IS RESPONSIBLE FOR DETERMINING THAT THE PRODUCT WILL PERFORM SUITABLY IN THE INTENDED APPLICATION

REV. DESC: LOAD INOPC CREATED SWD DRG INTO BUS - PACKAGE 29			
REV: B	VERSION: 02	REVISED: 09:08:43 07/26/2019	TDR: 00000114730
MODEL NO. 35LYVV821		REF: -	
BY: USBUFRA		B	

BALDOR - RELIANCE®

VERT 143-5TC TEFC 35M WD4 W/.75 NPT LEAD HOLE
SH 1 of 1

8 7 6 5 4 3 2 1

35LYVV821