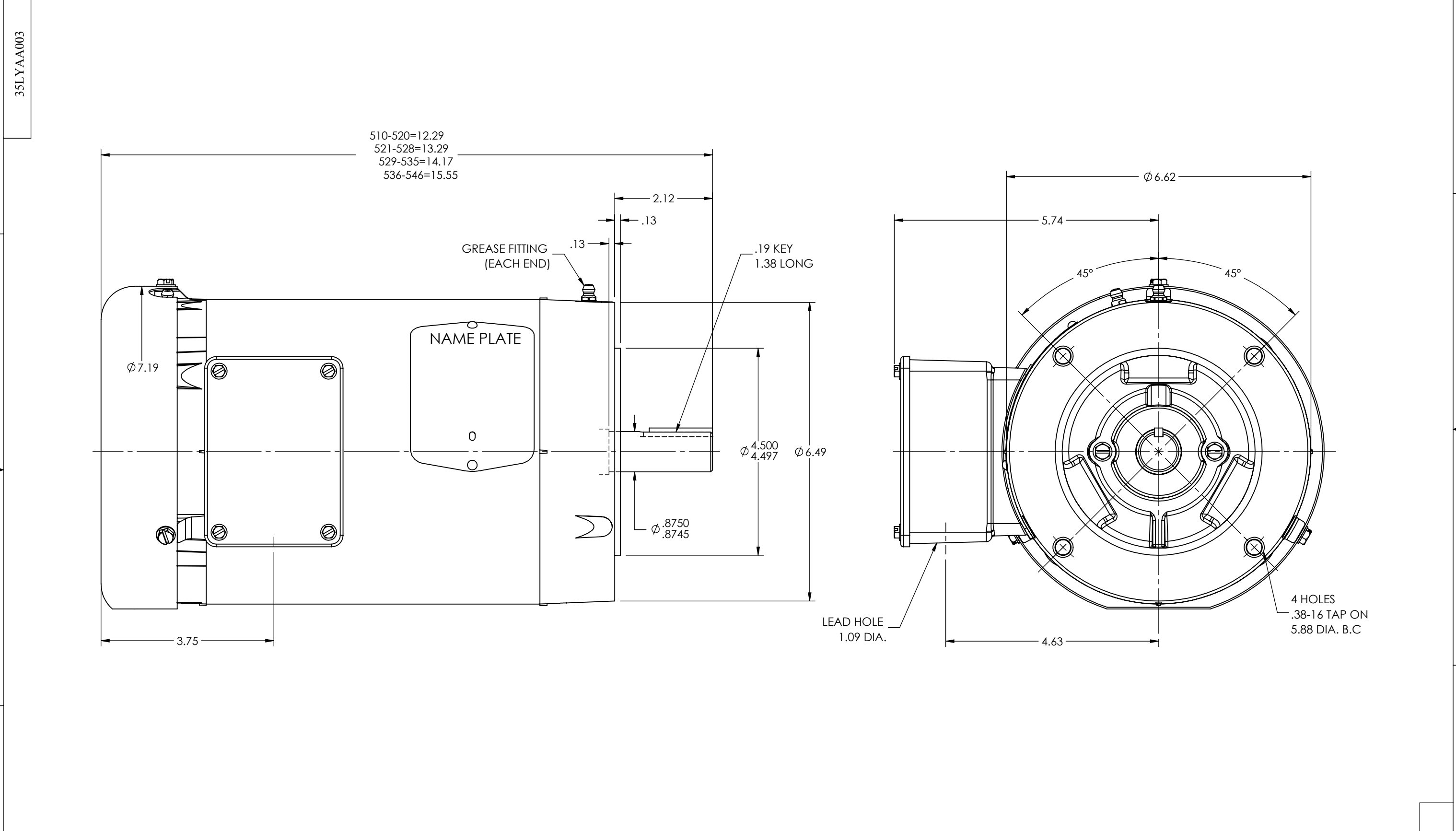


8 7 6 5 4 3 2 1



CUSTOMER IS RESPONSIBLE FOR DETERMINING THAT BALDOR'S PRODUCT WILL PERFORM SUITABLY IN THE INTENDED APPLICATION

REV. DESC: LOADING OF SWD DWG FOR 2D TO 3D CONVERSION			
REV: B	VERSION: 02	REVISED: 09:37:49 10/31/2018	TDR: 000001089746
MODEL NO. 35LYAA003			REF: -
BY: ENALEM0	Material: -		

BALDOR - RELIANCE®

STD VERT 143-5TC TEFC 35M
SH 1 of 1



8 7 6 5 4 3 2 1

35LYAA003