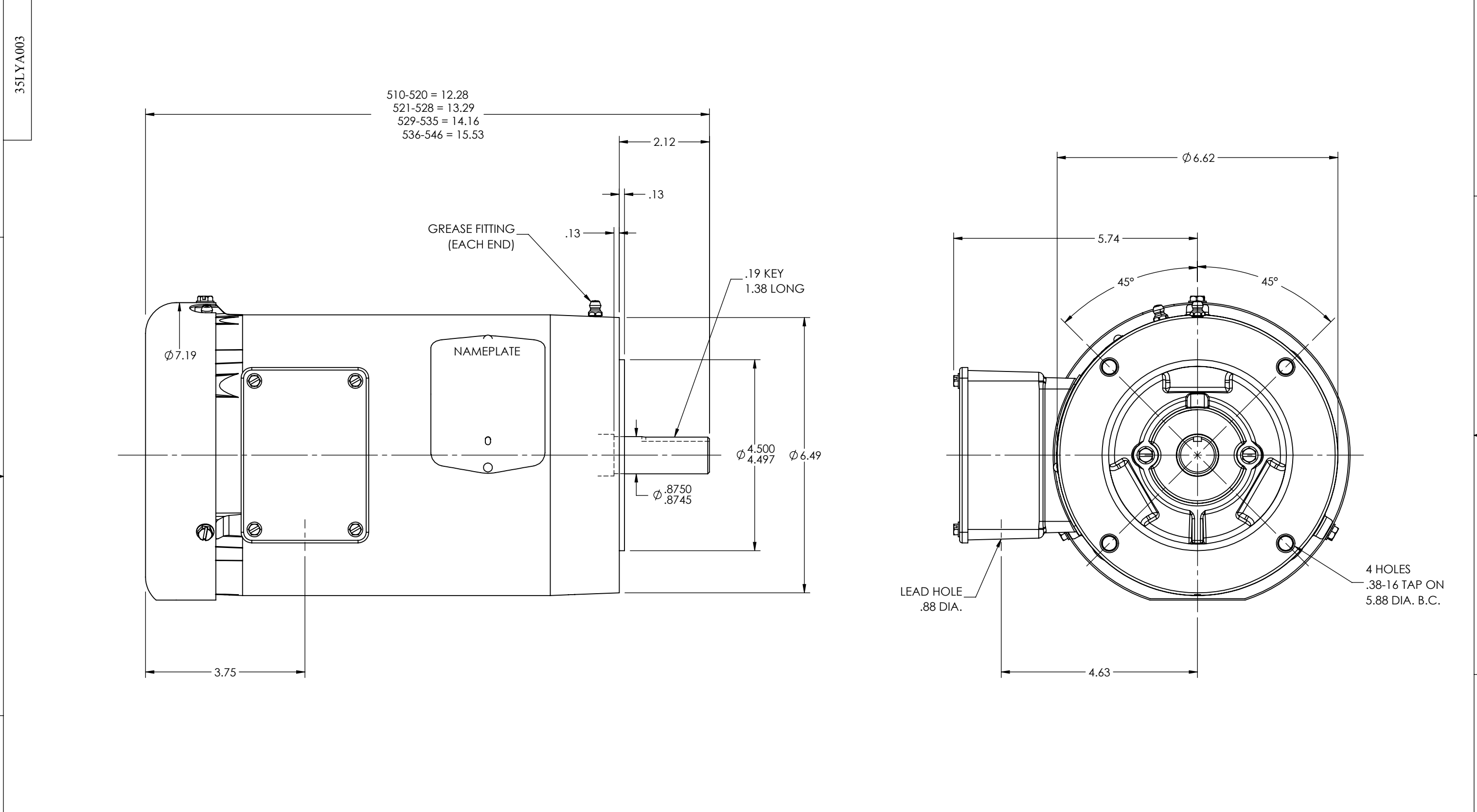


8 7 6 5 4 3 2 1



A

CUSTOMER IS RESPONSIBLE FOR DETERMINING THAT BALDOR'S PRODUCT WILL PERFORM SUITABLY IN THE INTENDED APPLICATION.

REV. DESC: LOADING OF SWD DWG FOR 2D TO 3D CONVERSION			
REV: Q	VERSION: 08	REVISED: 02:15:20 10/31/2018	TDR: 000001089746
MODEL NO: 35LYA003			REF: -
BY: ENALEM0	Material: -		

**BALDOR - RELIANCE®**

STD VERT 143-5TC TEFC 35M  
 SH 1 of 1

8 7 6 5 4 3 2 1

35LYA003