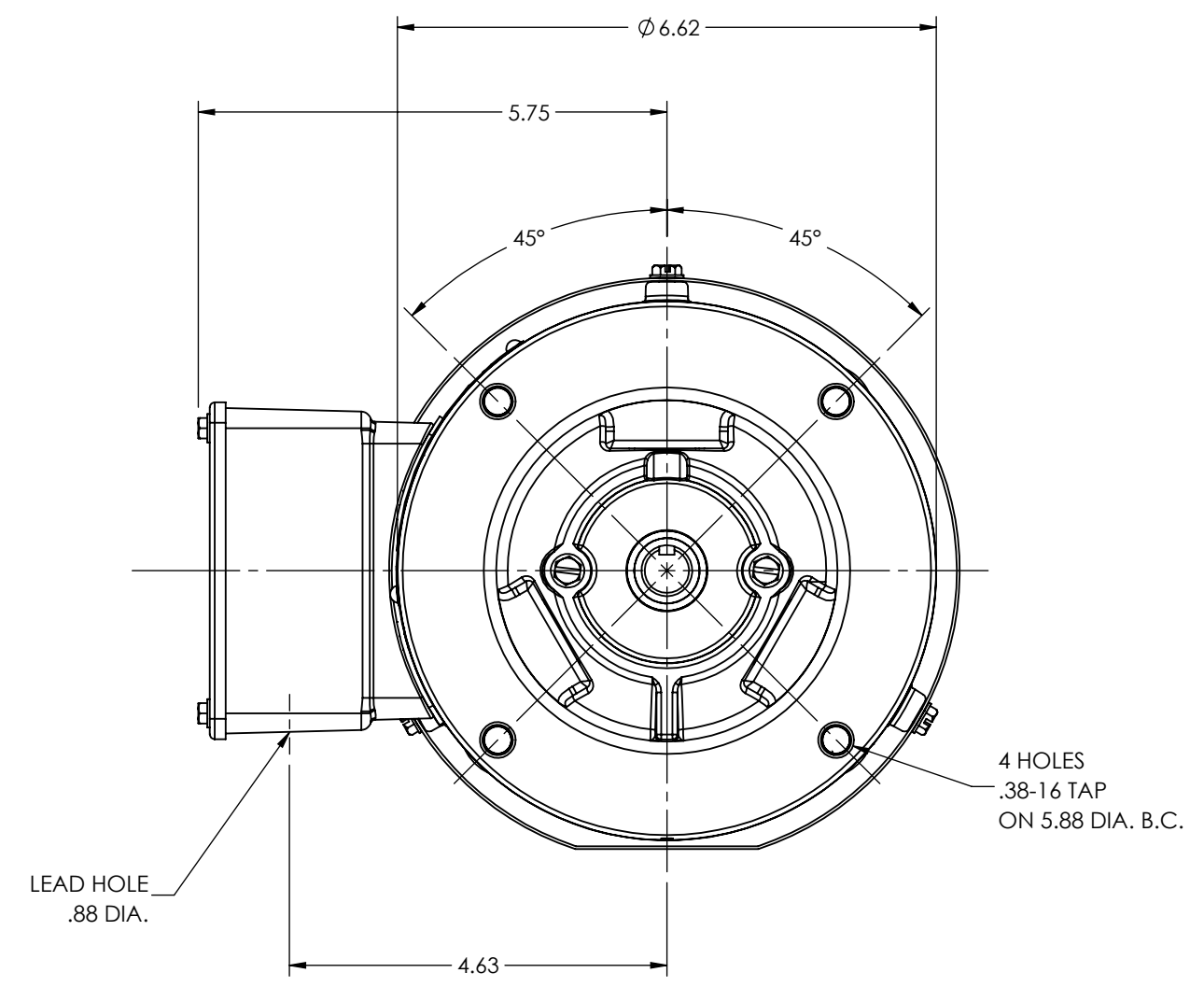
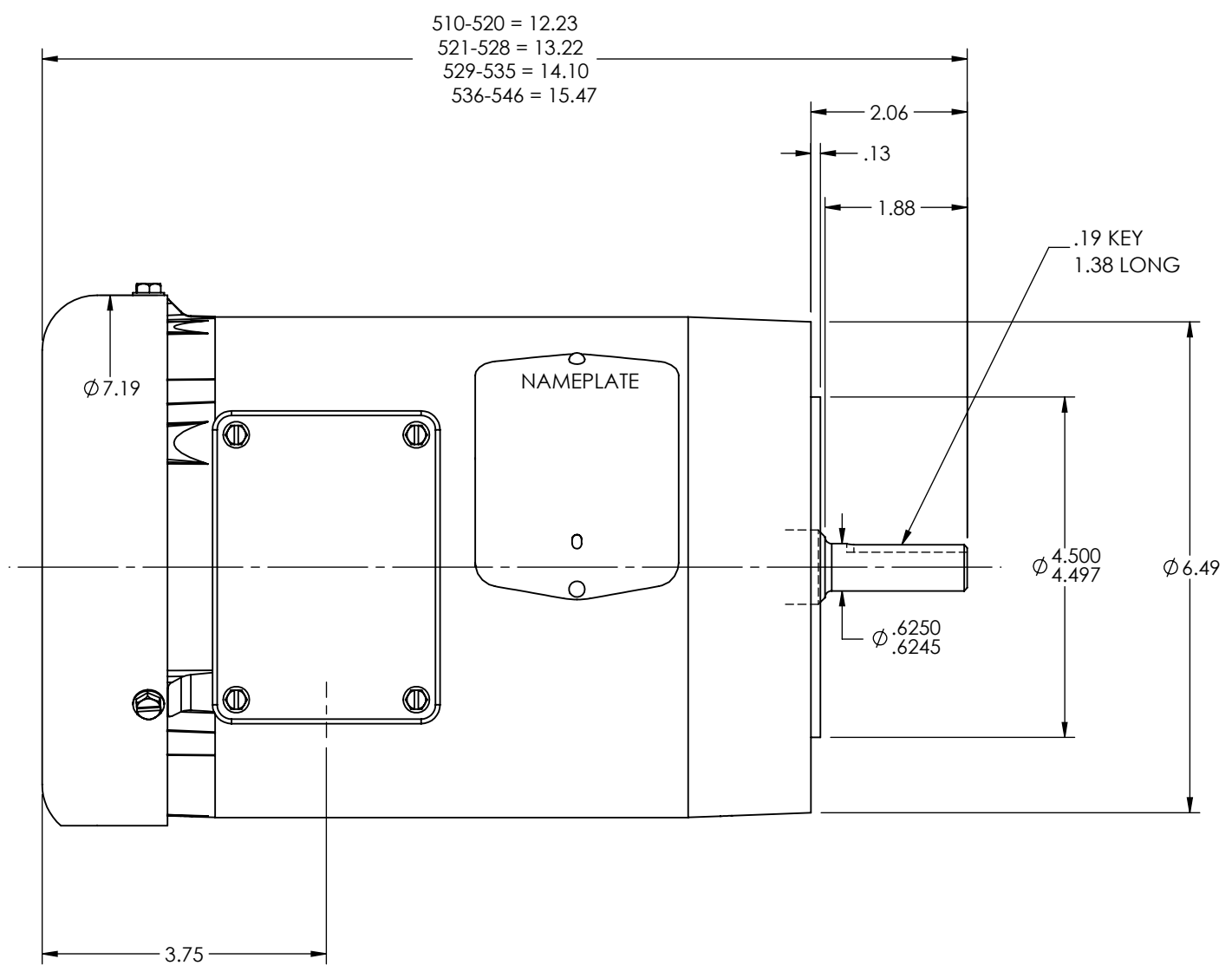


8 7 6 5 4 3 2 1

35LYA013

D  
C  
B  
A



D  
C  
B  
A

35LYA013

8 7 6 5 4 3 2 1

CUSTOMER IS RESPONSIBLE FOR DETERMINING THAT BALDOR'S PRODUCT WILL PERFORM IN THE INTENDED APPLICATION

REV. DESC: LOADING OF SWD DWG FOR 2D TO 3D CONVERSION			
REV: P	VERSION: 06	REVISED: 02:17:59 10/31/2018	TDR: 000001089746
MODEL NO: 35LYA013			REF: -
BY: ENALEM0	Material: -	B	

**BALDOR - RELIANCE®**

STD VERT 56C TEFC 35M  
SH 1 of 1