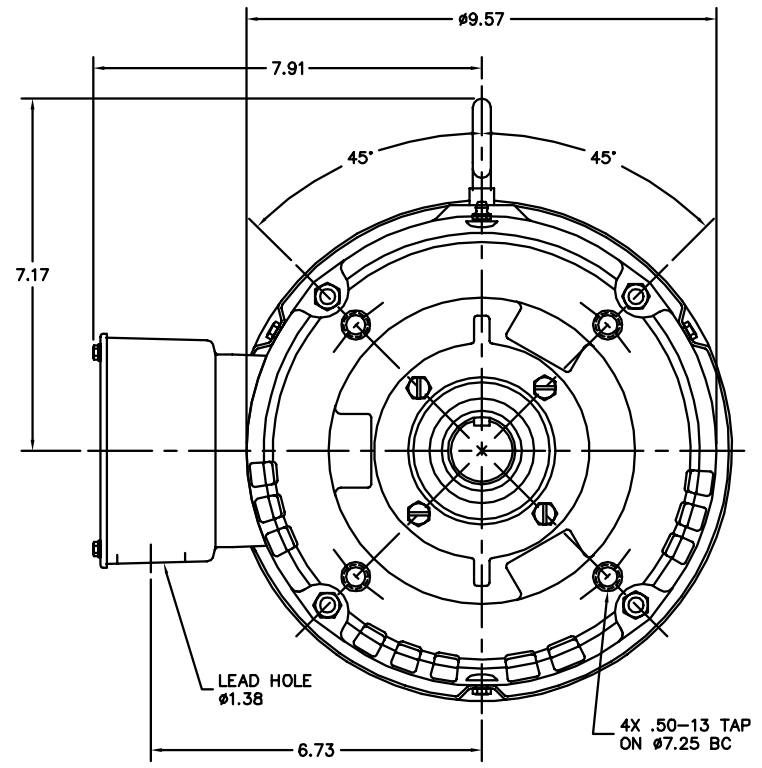
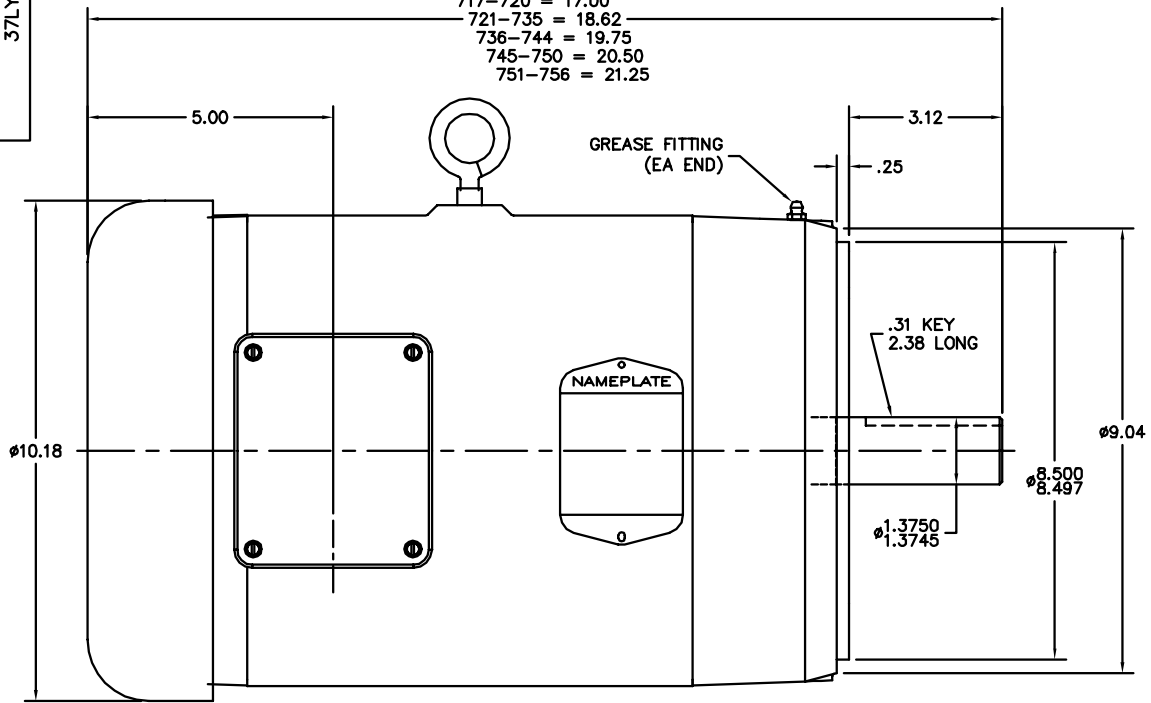


717-720 = 17.00  
 721-735 = 18.62  
 736-744 = 19.75  
 745-750 = 20.50  
 751-756 = 21.25



CUSTOMER IS RESPONSIBLE FOR DETERMINING THAT BALDOR'S PRODUCT WILL PERFORM SUITABLY IN THE INTENDED APPLICATION.

REV. DESC: REPLACE ENDPLATES		
REV. LTR: B	VERSION: 02	TDR: 000001018975
FILE: \AAA\00180\991	REVISED: 12:17:42 03/30/2017	BY: USZAHAR
MTL: -		

**BALDOR**

VER 213-5TC OPEN M W/DRIP COVER

SH 1 of 1