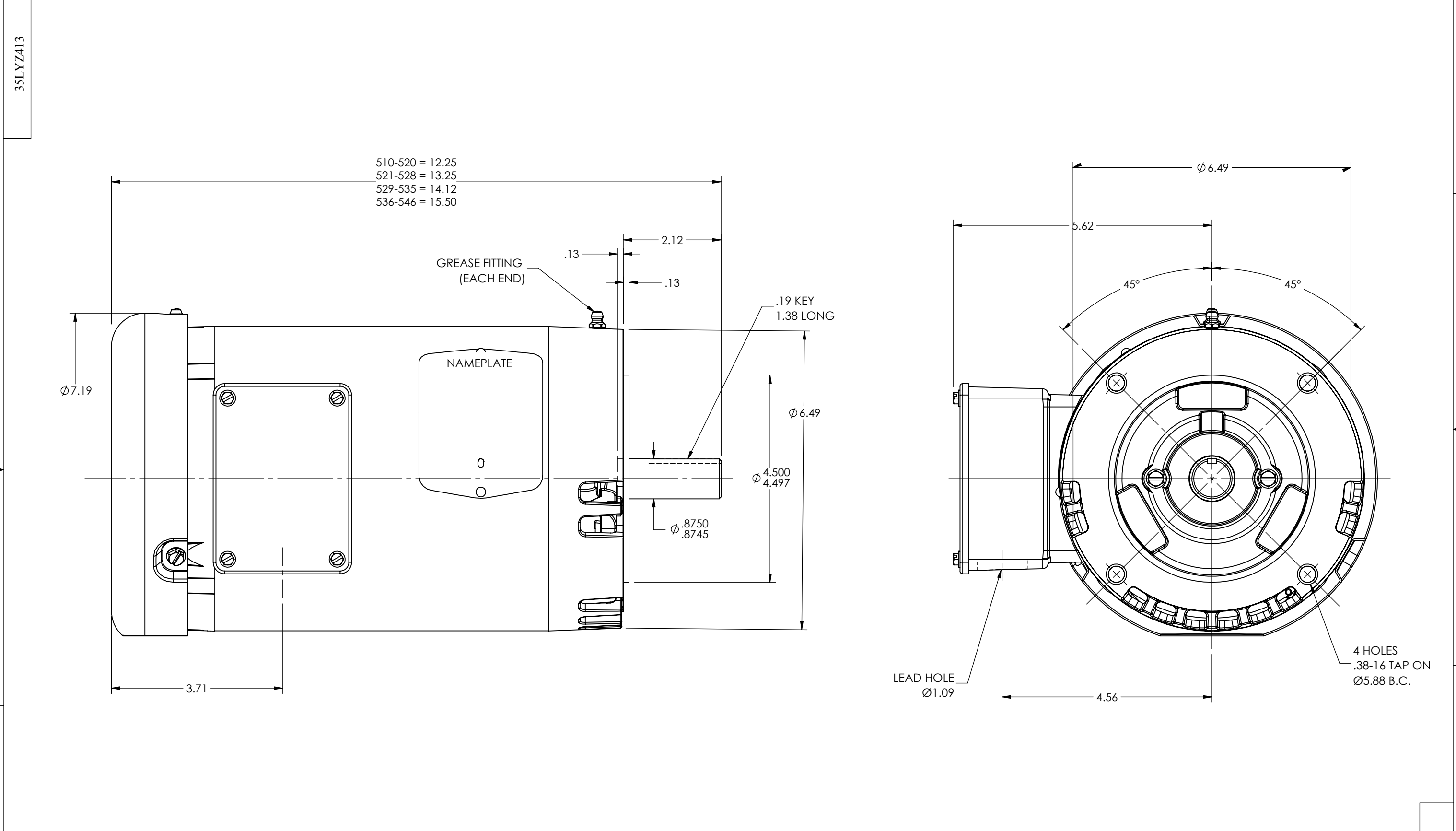


8 7 6 5 4 3 2 1



CUSTOMER IS RESPONSIBLE FOR DETERMINING THAT THE PRODUCT WILL PERFORM SUITABLY IN THE INTENDED APPLICATION

REV. DESC: LOADING OF SWD DWG FOR 2D TO 3D CONVERSION - PKG12			
REV: C	VERSION: 03	REVISED: 02:29:31 12/11/2018	TDR: 000001093440
MODEL NO. 35LYZ413			REF: -
BY: ENALEM0			B

BALDOR - RELIANCE®
 VERT 143-5TC OPEN 35M W/1.09 LEAD HOLE & DRIP COVER
 SH 1 OF 1

8 7 6 5 4 3 2 1

35LYZ413