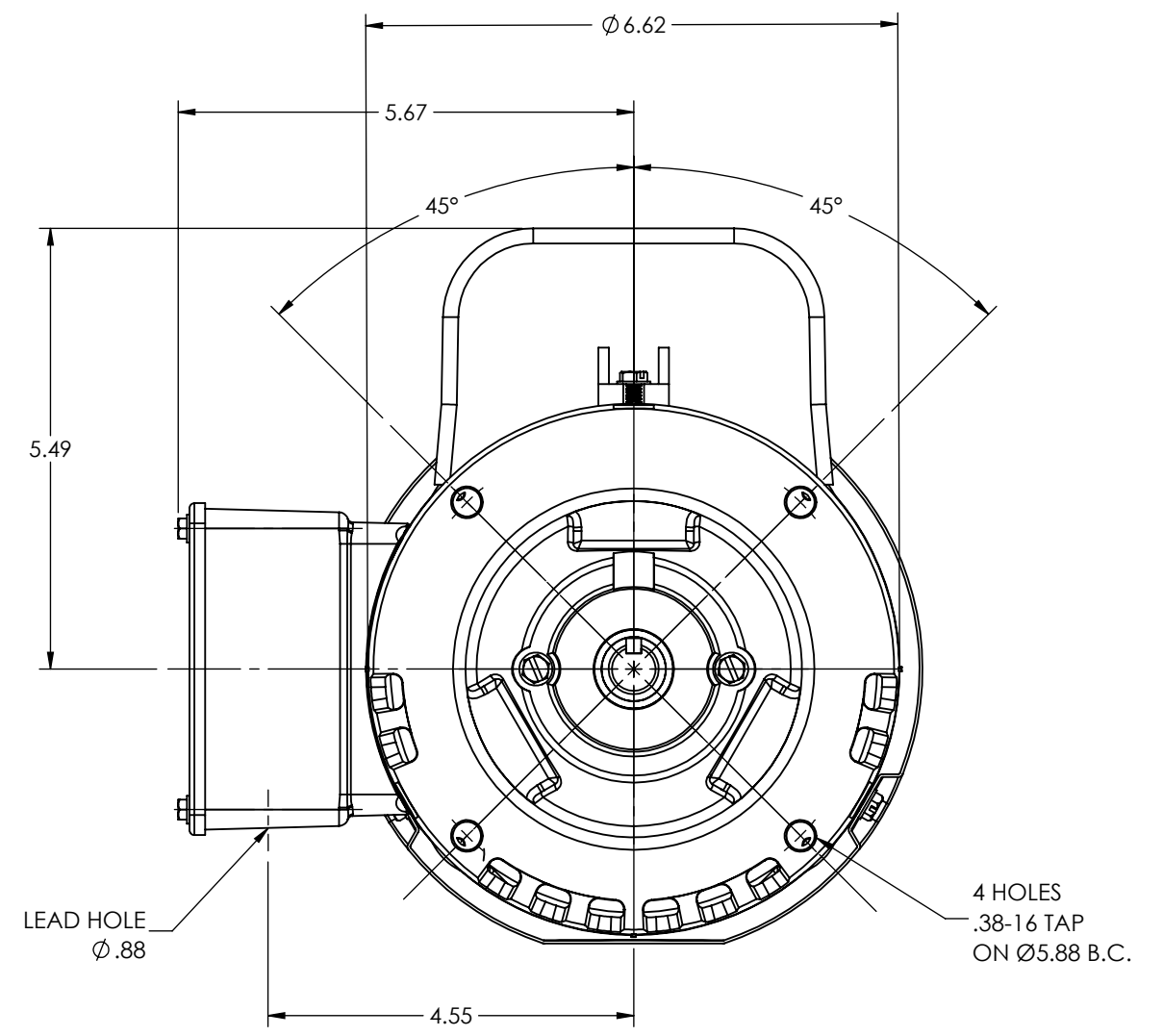
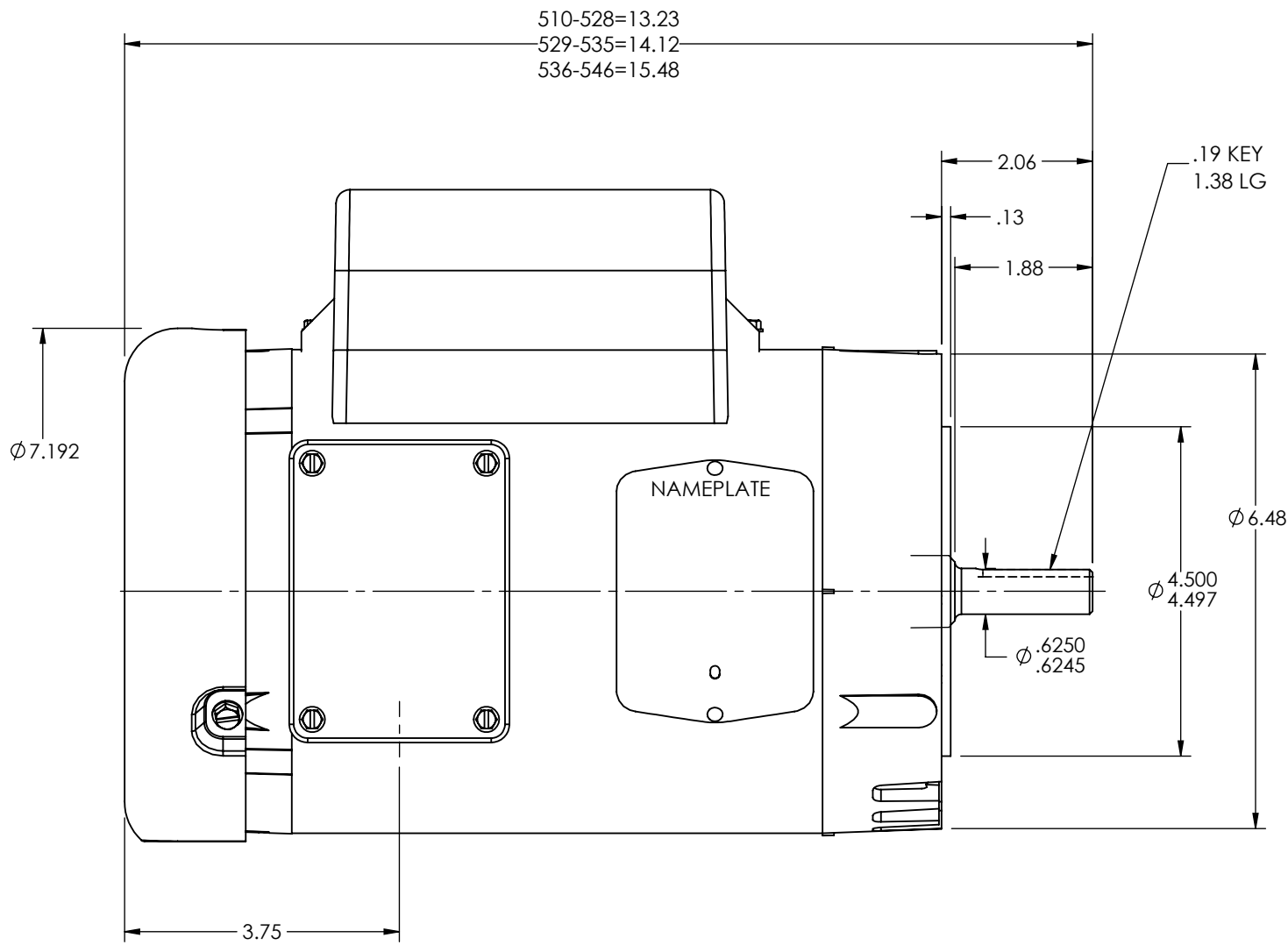


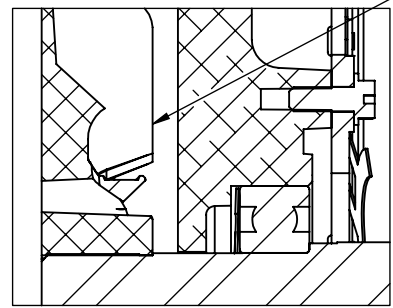
8 7 6 5 4 3 2 1

35LYE019

D
C
B
A



INSTALL EXTERNAL FAN WITH BLADES
TOWARDS FRONT ENDPLATE



FRONT END DETAIL

CUSTOMER IS RESPONSIBLE FOR DETERMINING THAT THE PRODUCT WILL PERFORM SUITABLY IN THE INTENDED APPLICATION

REV. DESC: LOADING OF SWD DWG FOR 2D TO 3D CONVERSION - PKG12			
REV: R	VERSION: 05	REVISED: 11:46:15 12/12/2018	TDR: 000001093440
MODEL NO. 35LYE019			REF: -
BY: ENSTEK0			B

BALDOR - RELIANCE®

STD VERT 56C ODTF 35LC
SH 1 of 1

35LYE019

D
C
B
A

8 7 6 5 4 3 2 1