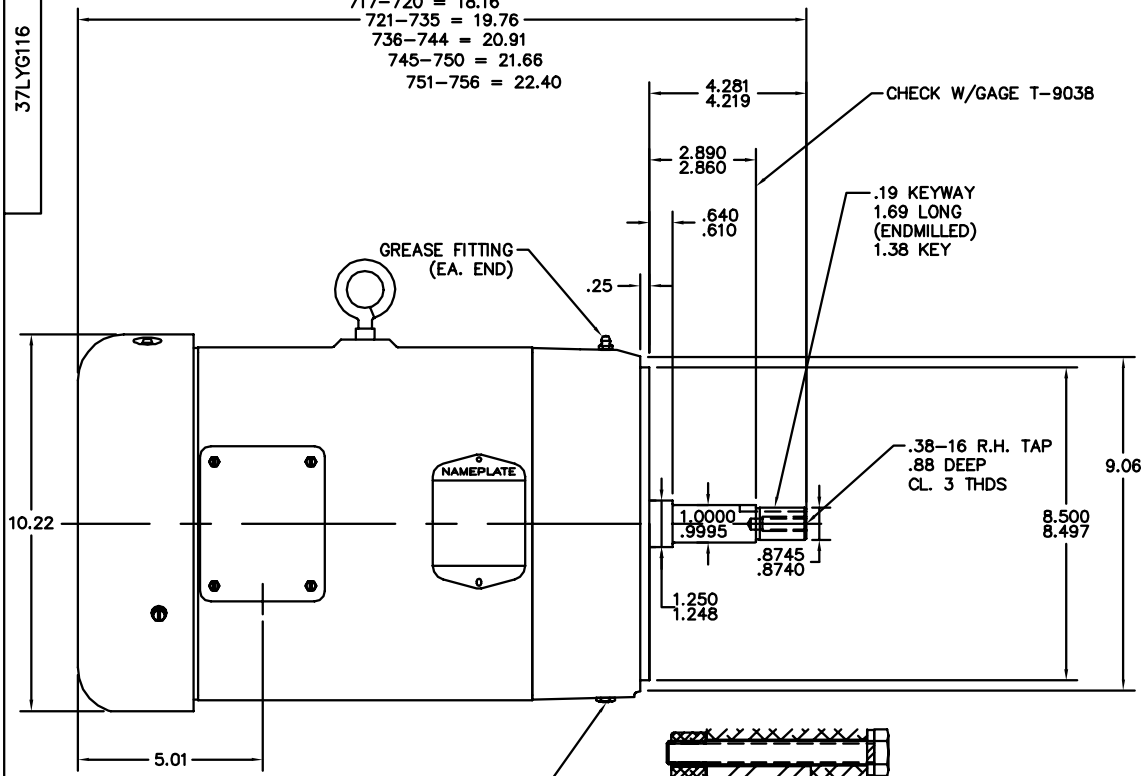
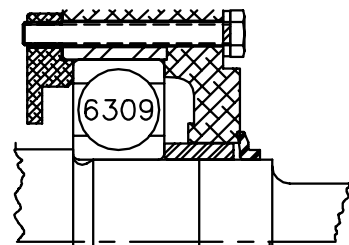


37LYG116

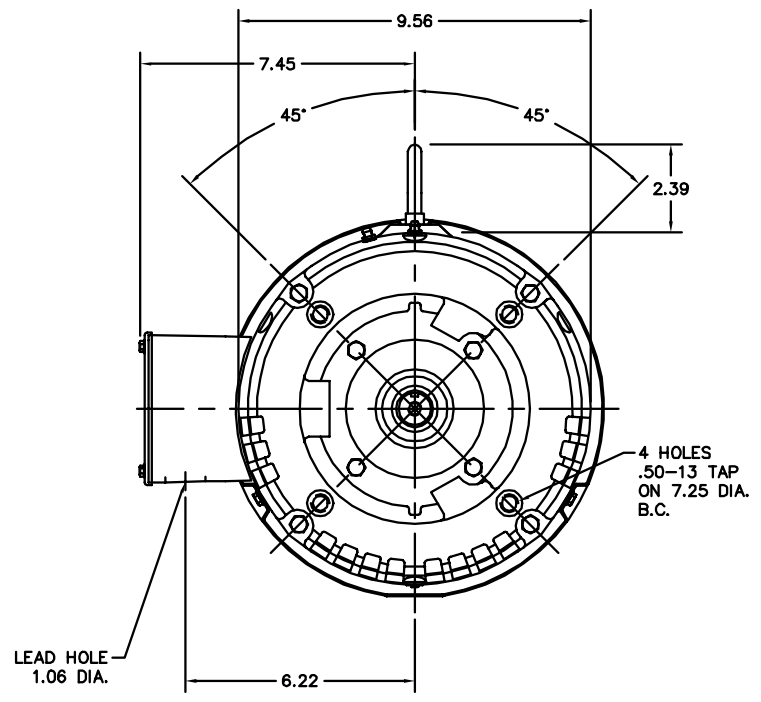
717-720 = 18.16
721-735 = 19.76
736-744 = 20.91
745-750 = 21.66
751-756 = 22.40



RELIEF (EA. END)



PULLEY END DETAIL



CUSTOMER IS RESPONSIBLE FOR DETERMINING THAT BALDOR'S PRODUCT WILL PERFORM SUITABLY IN THE INTENDED APPLICATION.

REV. DESC: CHANGE C-DIM		
REV. LTR: F	VERSION: 04	TDR: 00000821633
FILE: \AAA\00013\959	REVISED: 01:03:16 10/09/2013	BY: ENKANVO
MTL: -		

BALDOR

STD VERT 213-5JM TEFC 37M W/GRS & RLF
SH 1 of 1

37LYG116