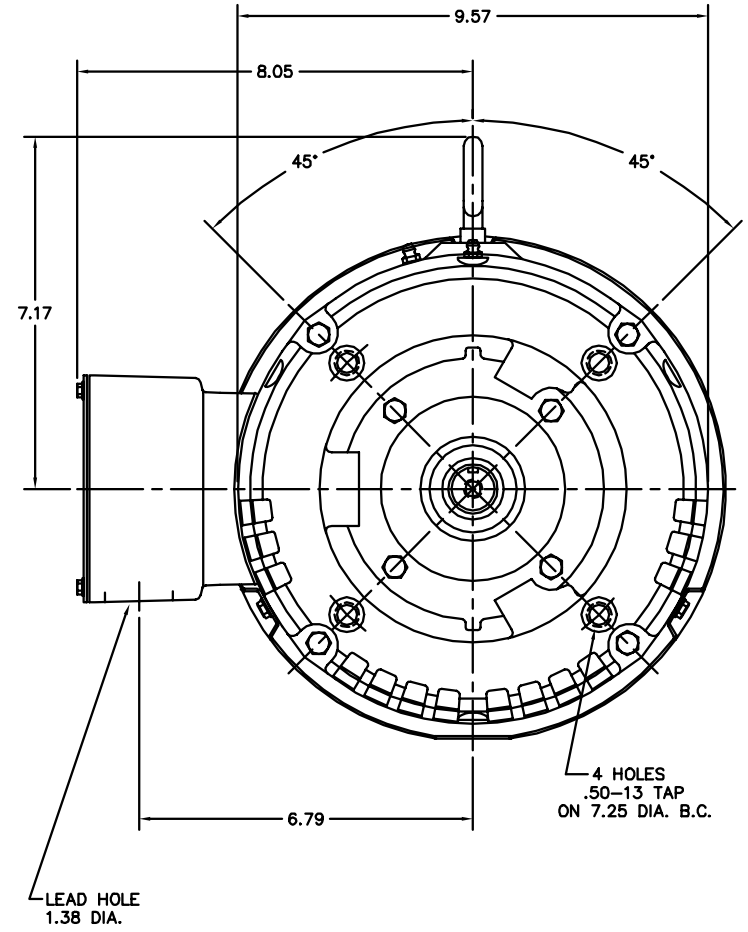
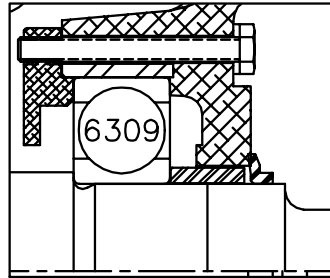
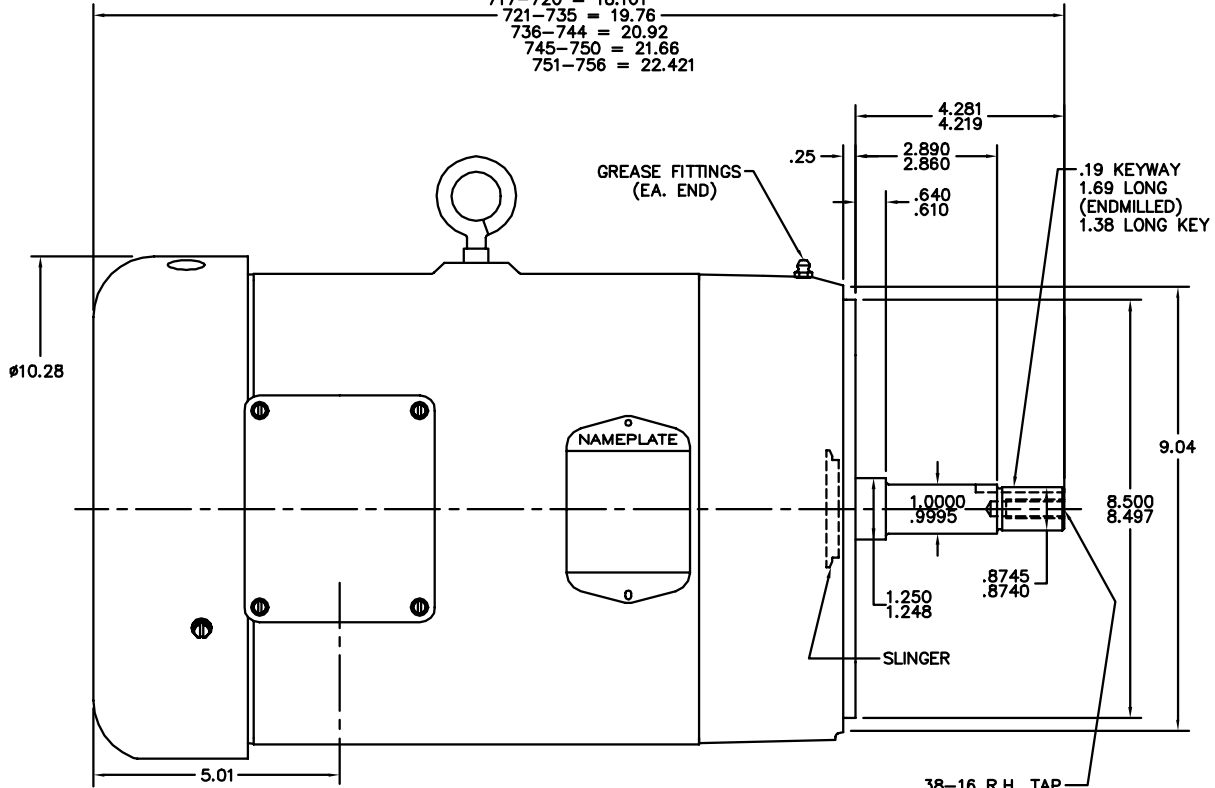


717-720 = 18.161
 721-735 = 19.76
 736-744 = 20.92
 745-750 = 21.66
 751-756 = 22.421



CUSTOMER IS RESPONSIBLE FOR DETERMINING THAT BALDOR'S PRODUCT WILL PERFORM SUITABLY IN THE INTENDED APPLICATION.

REV. DESC: CHANGE C-DIM	VERSION: 02	TDR: 00000820866
REV. LTR: H	REVISED: 12:10:00 10/09/2013	BY: ENKANVO
FILE: \AAA\00018\795		
MTL: -		

BALDOR

VERT 213-215JM TEFC 37M FACE MOUNTED

SH 1 of 1