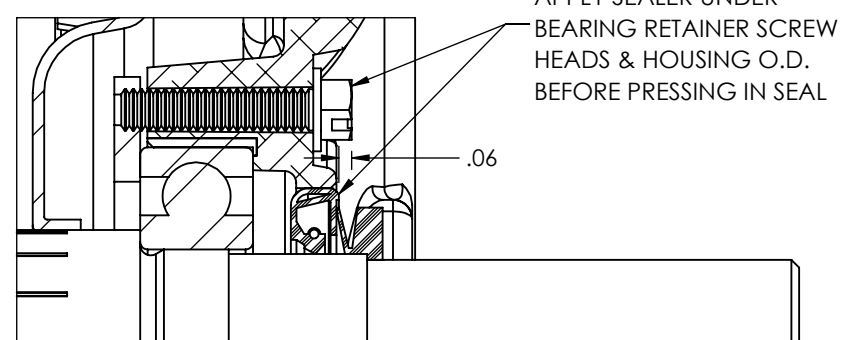
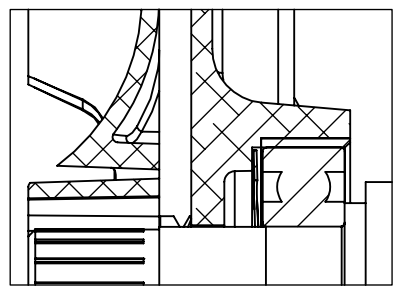
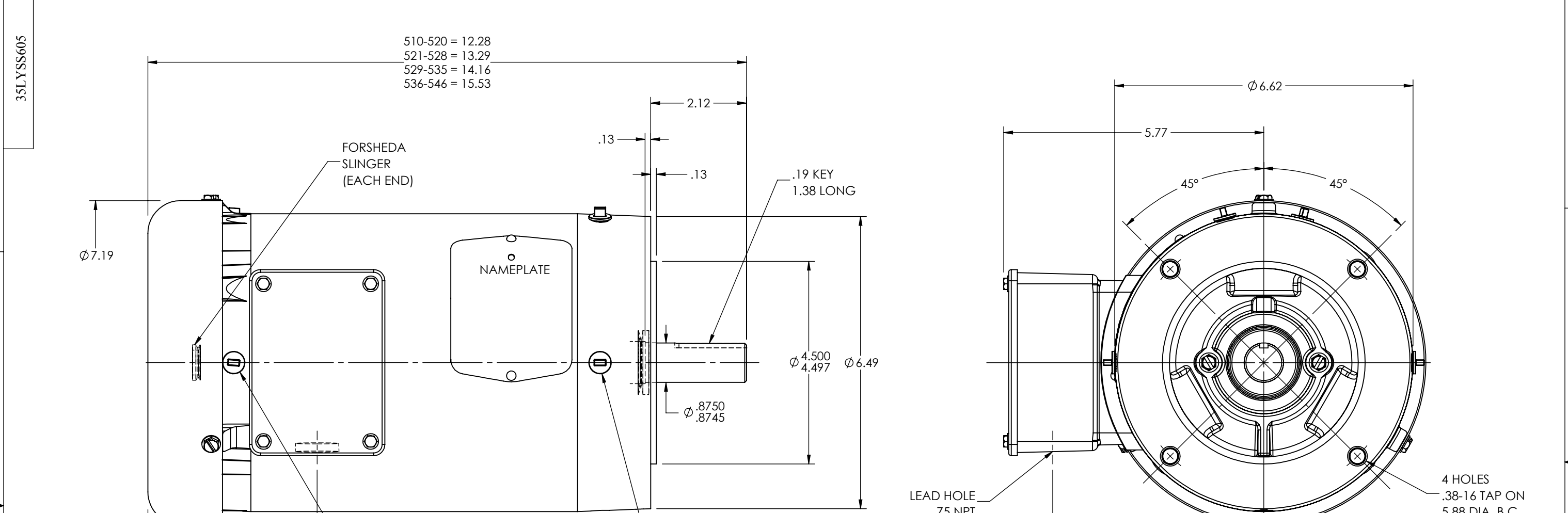


8 7 6 5 4 3 2 1



CUSTOMER IS RESPONSIBLE FOR DETERMINING THAT THE PRODUCT WILL PERFORM SUITABLY IN THE INTENDED APPLICATION

REV. DESC: LOADING OF SWD DWG FOR 2D TO 3D CONVERSION - PKG11			
REV: E	VERSION: 05	REVISED: 12:21:10 12/03/2018	TDR: 000001092572
MODEL NO. 35LYSS605		REF: -	
BY: ENALEM0		B	

BALDOR - RELIANCE®

VERT 143-5TC TEFC 35M WD (S/P 9) W/.75 NPT LEAD HOLE
SH 1 of 1

8 7 6 5 4 3 2 1

35LYSS605