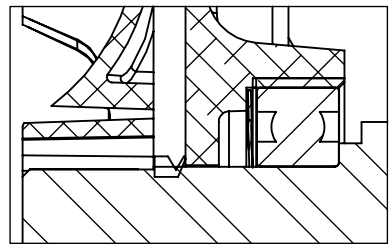
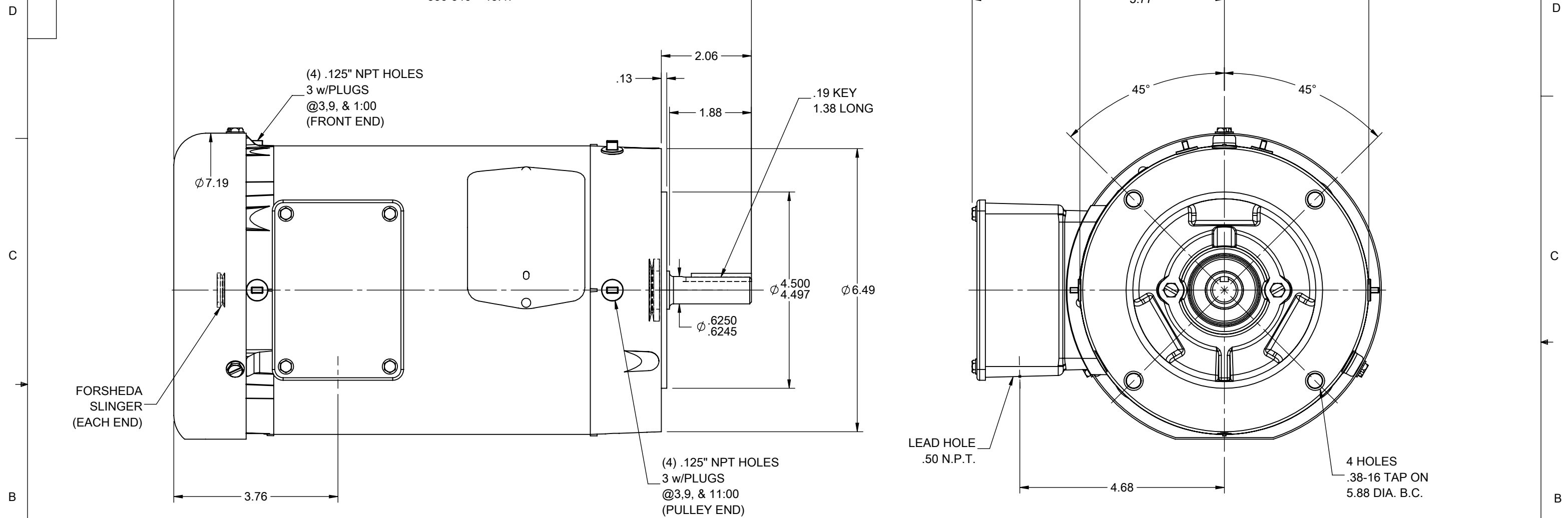


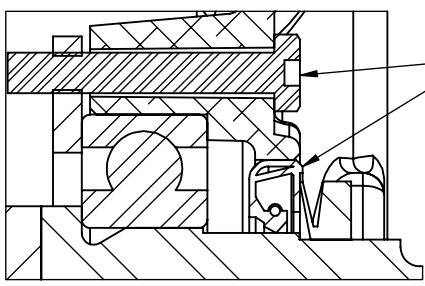
8 7 6 5 4 3 2 1

35LYS596

510-520 = 12.22
 521-528 = 13.22
 529-535 = 14.10
 536-546 = 15.47



FRONT END DETAIL



PULLEY END DETAIL

OMIT LOCK-WASHER &
 APPLY SEALER UNDER
 BEARING RETAINER SCREW
 HEAD & HOUSING O.D. BEFORE
 PRESSING IN SEAL

CUSTOMER IS RESPONSIBLE FOR DETERMINING THAT BALDOR'S PRODUCT WILL PERFORM SUITABLY IN THE INTENDED APPLICATION.

REV. DESC: HOW SEAL OPP DIRECT TO MATCH SI			
REV: H	VERSION: 08	REVISED: 09:34:54 02/25/2019	TDR: 000001100583
MODEL NO: 35LYS596			REF: -
BY: ENWINB0	Material: -		

BALDOR - RELIANCE®

STD VERT 56C TEFC 35M WD (S/P #9)
 SH 1 of 1

35LYS596

8 7 6 5 4 3 2 1