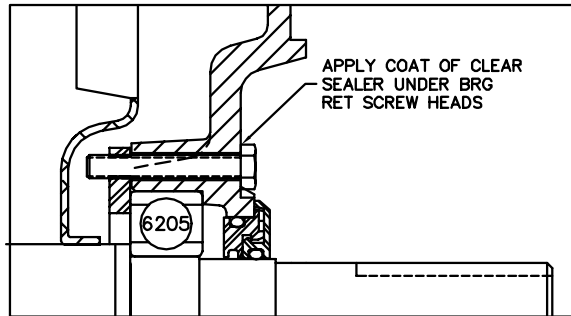


FRONT END DETAIL



PULLEY END DETAIL

CUSTOMER IS RESPONSIBLE FOR DETERMINING THAT BALDOR'S PRODUCT WILL PERFORM SUITABLY IN THE INTENDED APPLICATION.

REV. DESC: NEW	VERSION: 00	TDR: 00000968682
REV. LTR: -	REVISED: 02:04:42 04/19/2016	BY: ENCHALO
FILE: \AAA\00226\331		
MTL: -		

BALDOR

STD VERT 143-5TC TEFC 35M DDP

SH 1 of 1