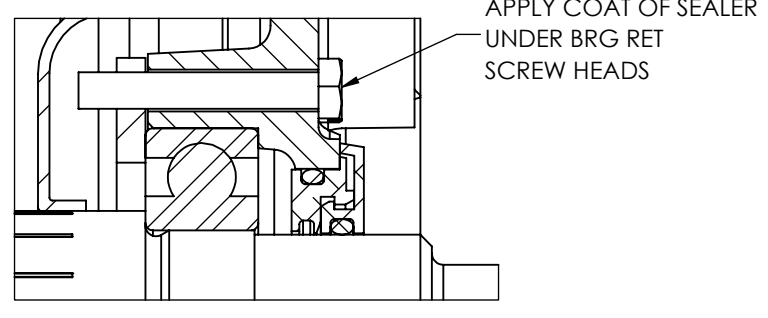
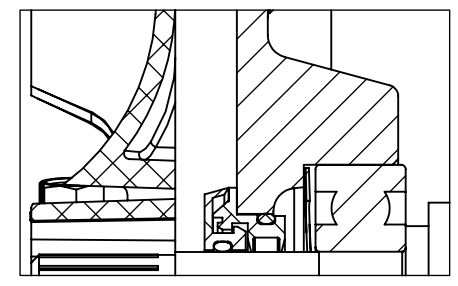
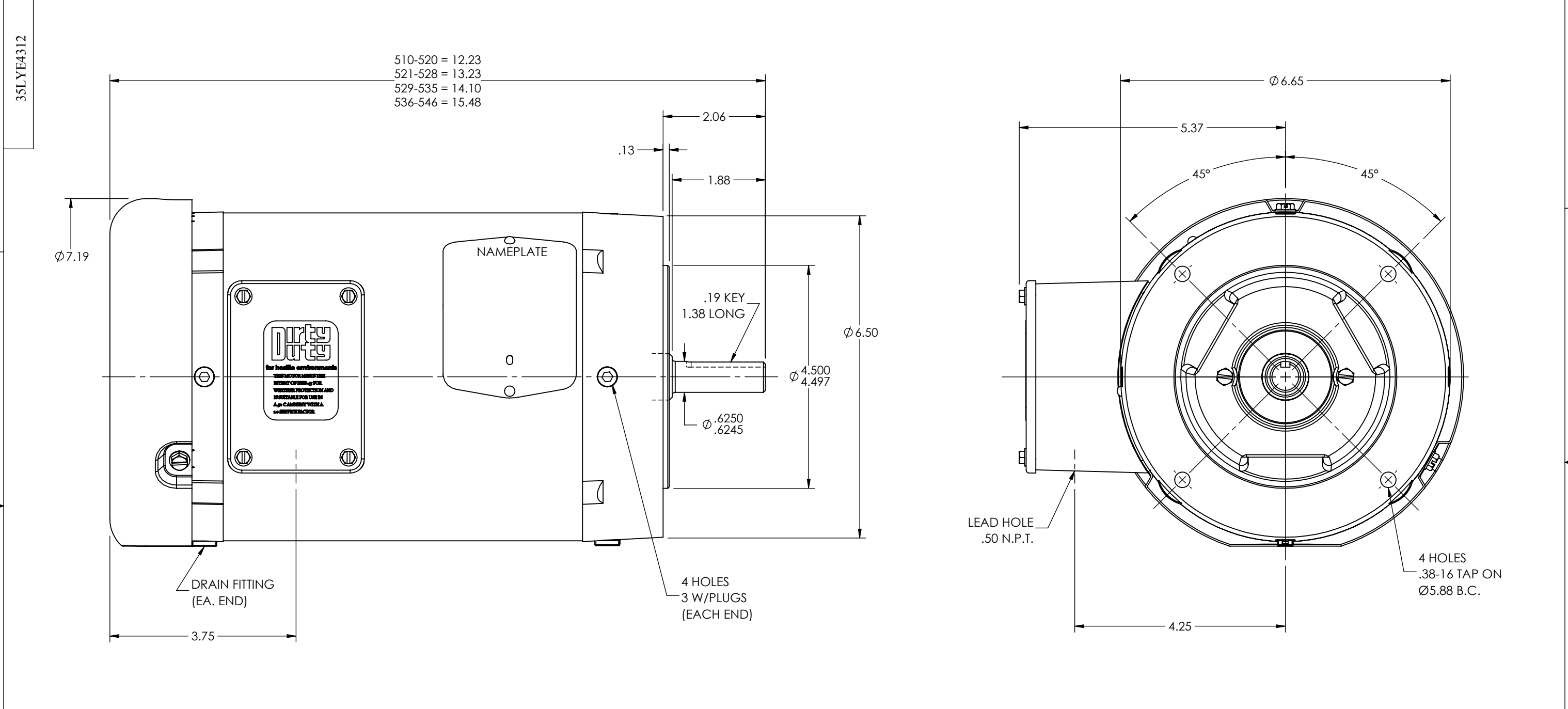


8 7 6 5 4 3 2 1



CUSTOMER IS RESPONSIBLE FOR DETERMINING THAT THE PRODUCT WILL PERFORM SUITABLY IN THE INTENDED APPLICATION

REV. DESC: LOADING OF INOPC SWD MODEL & DRAWING FOR PKG 30			
REV: A	VERSION: 01	REVISED: 10:59:14 07/18/2019	TDR: 000001114686
MODEL NO. 35LYE4312			REF: -
BY: ENALEM0			B

BALDOR - RELIANCE®

STD VER 56C TEFC 35M DDP (S/P032-002-002)
SH 1 of 1

8 7 6 5 4 3 2 1

35LYE4312