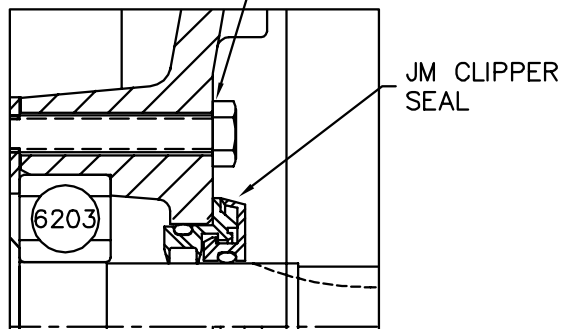


FRONT END DETAIL



PULLEY END DETAIL

CUSTOMER IS RESPONSIBLE FOR DETERMINING THAT BALDOR'S PRODUCT WILL PERFORM SUITABLY IN THE INTENDED APPLICATION.

REV. DESC: NEW		
REV. LTR: -	VERSION: 00	TDR: 00000968676
FILE: \AAA\00226\346	REVISED: 11: 31: 46 04/25/2016	BY: ENBENBO
MTL: -		

BALDOR

VER 56C TEFC 34M DDP (S/P032-002-002) LOW RES ENDRINGS