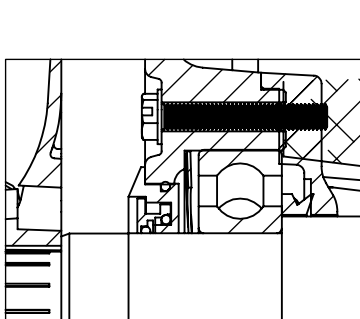
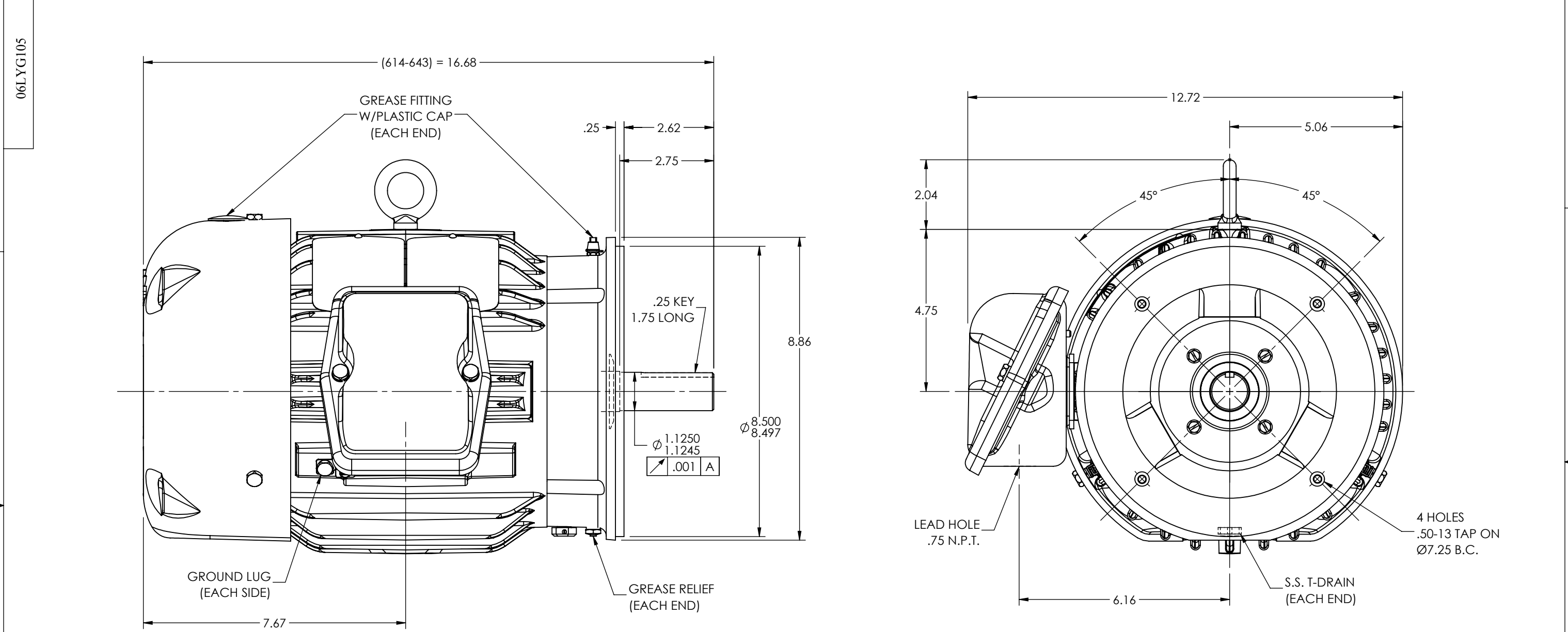
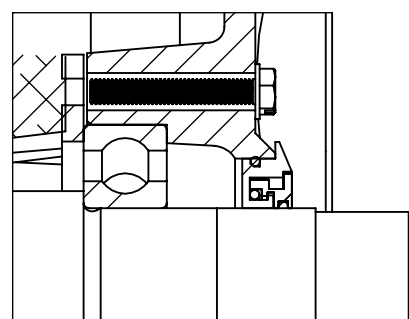


8 7 6 5 4 3 2 1



FRONT END DETAIL



PULLEY END DETAIL

CUSTOMER IS RESPONSIBLE FOR DETERMINING THAT THE PRODUCT WILL PERFORM SUITABLY IN THE INTENDED APPLICATION

REV. DESC: LOADING OF INOPC SWD MODEL & DRAWING FOR PKG 37			
REV: B	VERSION: 02	REVISED: 09:39:33 09/19/2019	TDR: 000001120280
MODEL NO. 06LYG105			REF: -
BY: ENALEM0			<b>B</b>

**BALDOR - RELIANCE®**

VER 182-4TC TEFC M (ECP)IEEE841 (614-643) W/LKD.BRG & INPROS

A A

8 7 6 5 4 3 2 1

06LYG105