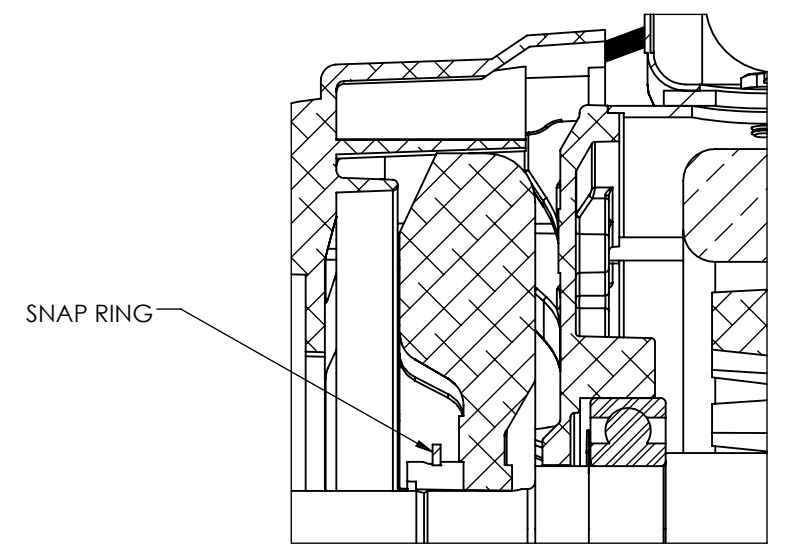
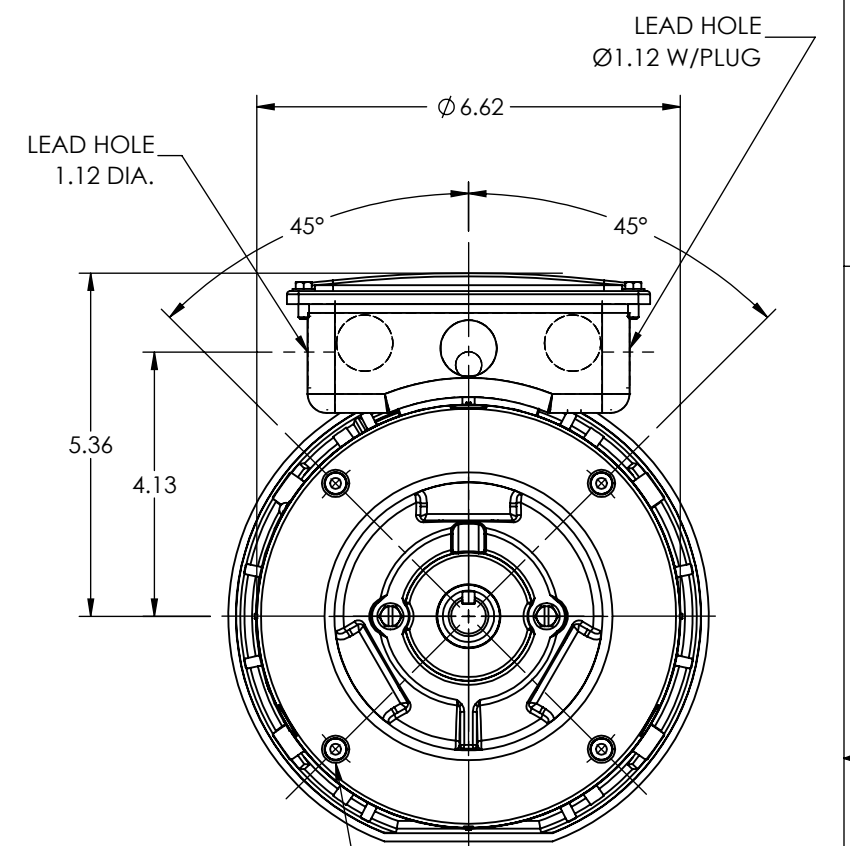
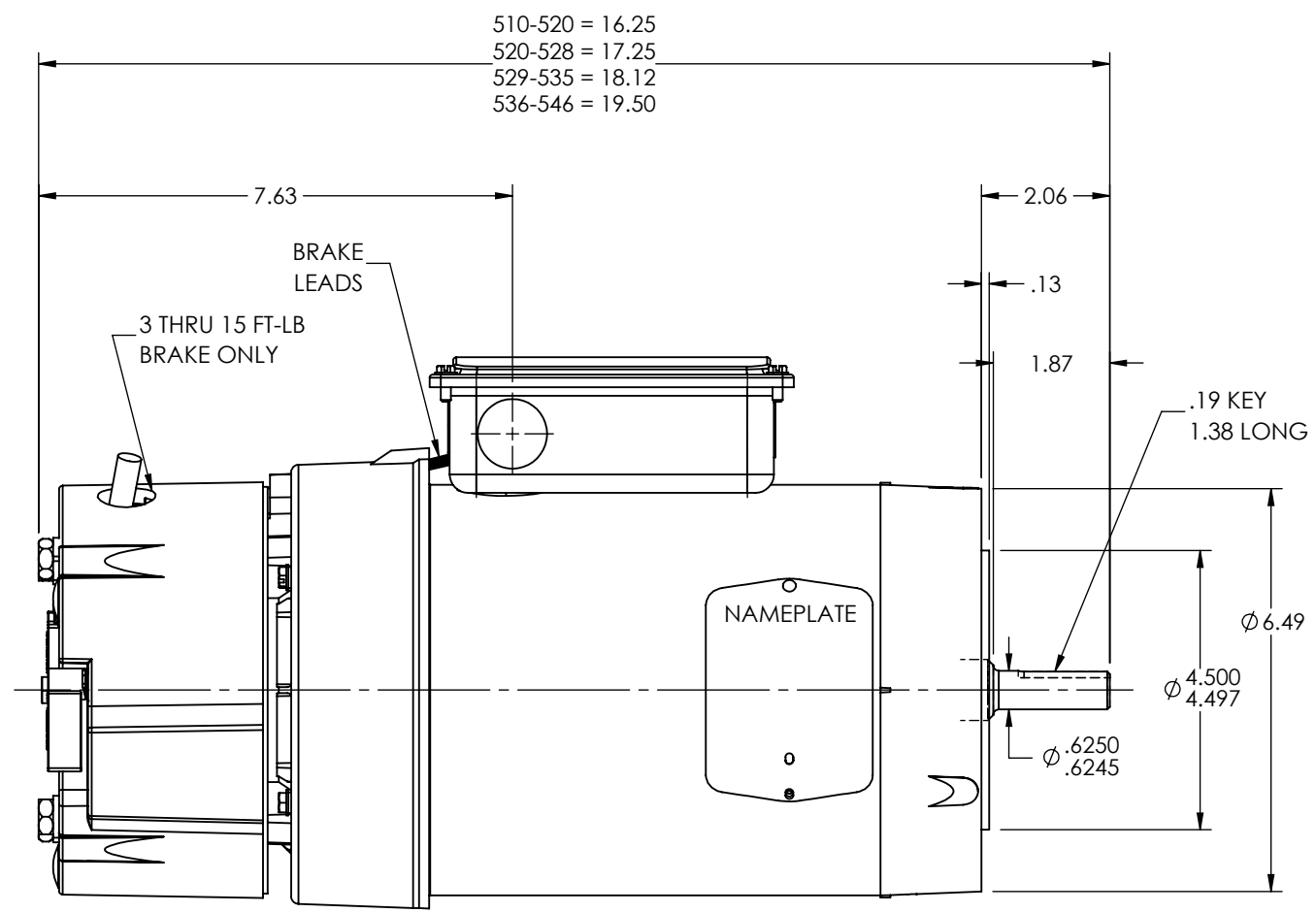
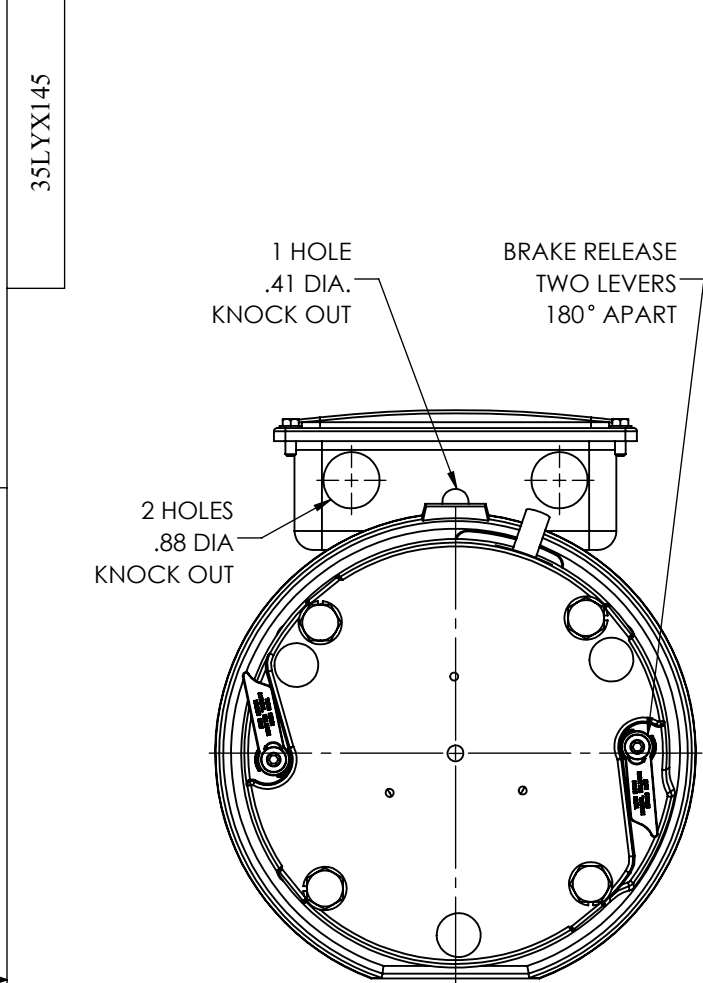


8 7 6 5 4 3 2 1



FRONT END DETAIL

CUSTOMER IS RESPONSIBLE FOR DETERMINING THAT THE PRODUCT WILL PERFORM SUITABLY IN THE INTENDED APPLICATION

REV. DESC: LOADING OF SWD DWG FOR 2D TO 3D CONVERSION - PKG11			
REV: C	VERSION: 03	REVISED: 01:59:24 11/30/2018	TDR: 000001092572
MODEL NO. 35LYX145		REF: -	
BY: ENSTEK0		<b>B</b>	

**BALDOR - RELIANCE®**

VERT 56C TEFC M F3 W/DODGE 'D' SERIES BRAKE & 35CB4007  
SH 1 of 1

A A

35LYX145

8 7 6 5 4 3 2 1