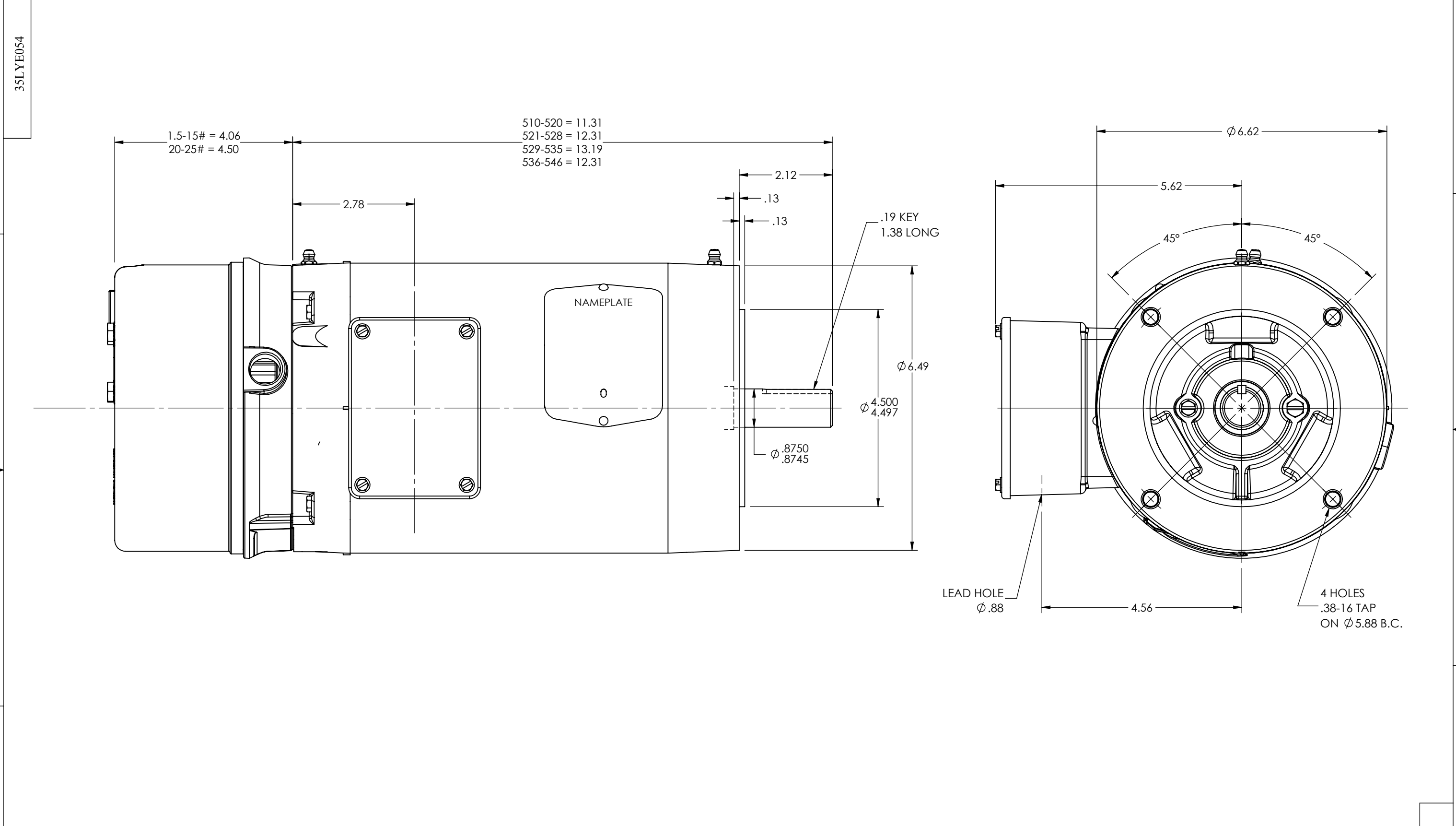


8 7 6 5 4 3 2 1



35LYE054

35LYE054

510-520 = 11.31
 521-528 = 12.31
 529-535 = 13.19
 536-546 = 12.31

| | | | |
|--|-------------|------------------------------|-------------------|
| REV. DESC: LOADING OF INOPC SWD MODEL & DRAWING FOR PKG 30 | | | |
| REV: F | VERSION: 02 | REVISED: 11:59:42 07/18/2019 | TDR: 000001114686 |
| MODEL NO. 35LYE054 | | REF: - | |
| BY: ENALEM0 | | B | |

CUSTOMER IS RESPONSIBLE FOR DETERMINING THAT THE PRODUCT WILL PERFORM SUITABLY IN THE INTENDED APPLICATION

BALDOR - RELIANCE®

STD VERT 143-5TC OPEN 35M W/BRAKE
 SH 1 of 1

8 7 6 5 4 3 2 1