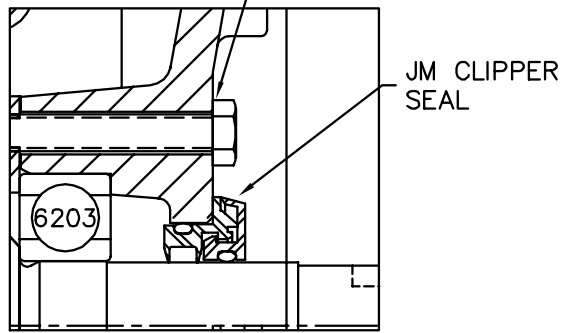



FRONT END DETAIL



PULLEY END DETAIL

APPLY SEALER  
 UNDER RETAINER  
 SCREW HEADS

CUSTOMER IS RESPONSIBLE FOR DETERMINING THAT BALDOR'S PRODUCT WILL PERFORM SUITABLY IN THE INTENDED APPLICATION.

REV. DESC: CHG BAND TO 34SB2729 & SH TO 34SH2B14		
REV. LTR: A	VERSION: 01	TDR: 00000980357
FILE: \AAA\00226\238	REVISED: 02:15:19 05/16/2016	BY: ENBENBO
MTL: -		

**BALDOR**

STD VER 56C TEFC 34M DDP (S/P032-002-002)

SH 1 of 1