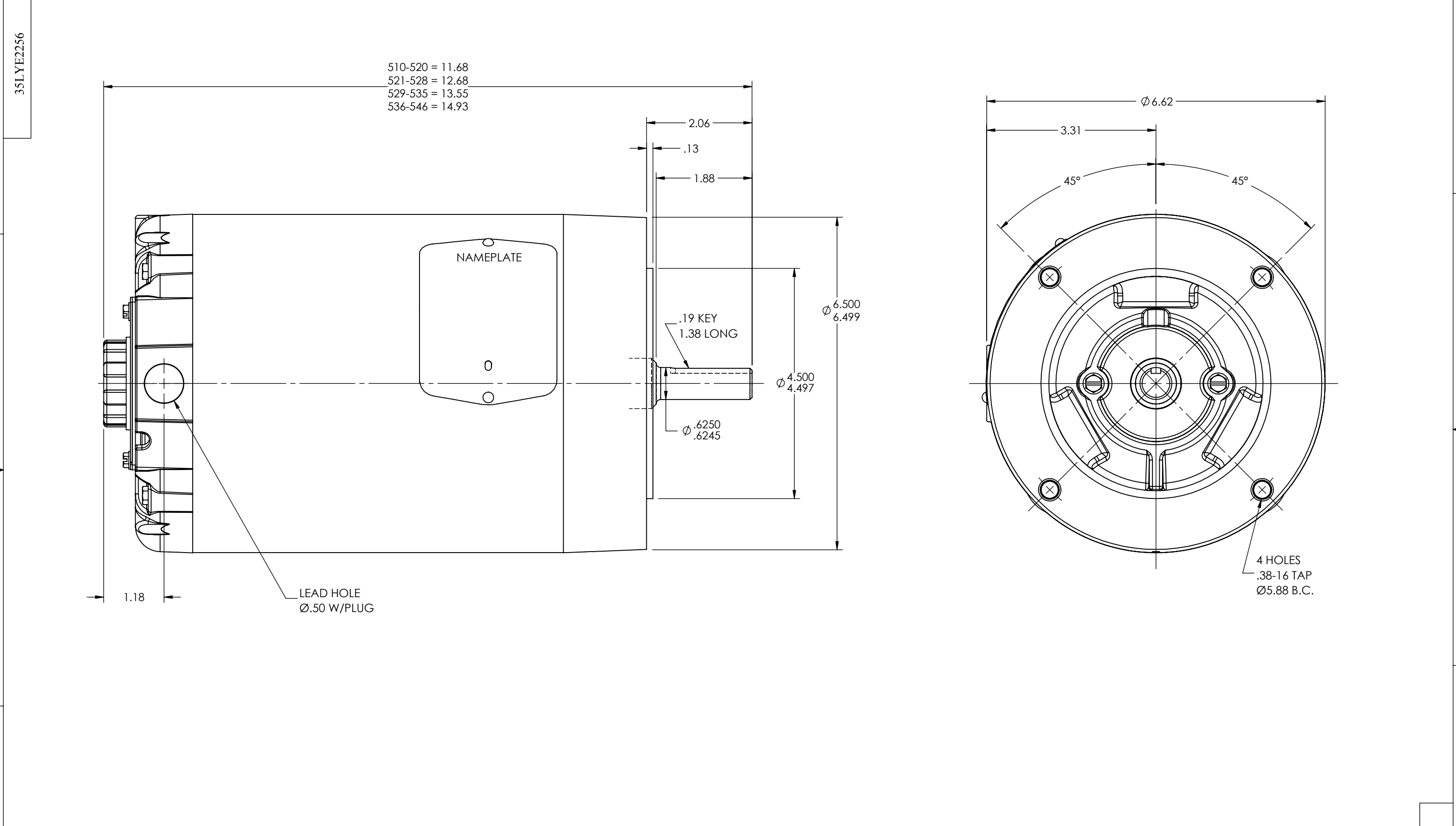


8 7 6 5 4 3 2 1



CUSTOMER IS RESPONSIBLE FOR DETERMINING THAT THE PRODUCT WILL PERFORM SUITABLY IN THE INTENDED APPLICATION			
REV. DESC: LOADING OF INOPC SWD MODEL & DRAWING FOR PKG 30			
REV: B	VERSION: 02	REVISED: 11:07:54 07/18/2019	TDR: 000001114686
MODEL NO. 35LYE2256			REF: -
BY: ENALEM0			B
BALDOR - RELIANCE®			35LYE2256
VER 56C TEAO M W/TERM PANEL QUICK CONN.(SP5079)			SH 1 of 1

8 7 6 5 4 3 2 1