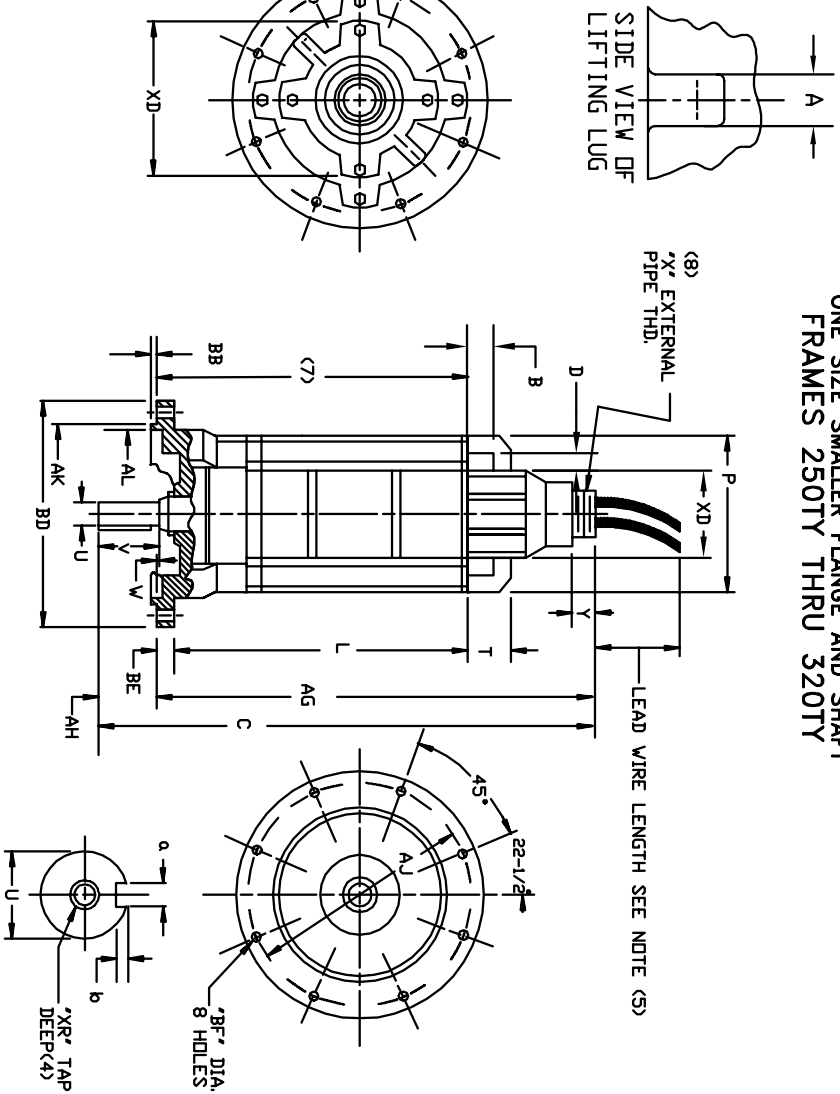


DUTY MASTER ALTERNATING CURRENT MOTORS

SQUIREL-CAGE INDUCTION
ENCLOSURE: TOTALLY ENCLOSED
SUBMERSIBLE
ONE SIZE SMALLER FLANGE AND SHAFT
FRAMES 250TY THRU 320TY



DIMENSIONS ARE IN INCHES

FRAME	C	L	P	T	UC(3)	V	V	AG	AH	AJ	AK (6)	AL	LIFTING LUG DIMENSIONS		
250TY	37.06	23.62	12.75	3.50	1.438	2.00	.25	35.50	1.56	14.12	13.125	12.00	.75	2.25	2.12
320TY	44.60	26.37	16.00	4.25	1.750	3.31	.27	41.56	3.04	16.00	15.000	14.25	1.25	2.25	1.50

FRAME	BD(2)	BE	BF	XR(4)	LEAD CONNECTION			B.E. KEYWAY		LENGTH	WEIGHT
					X (6)	Y	XD	a	b		
250TY	15.25	1.00	.56	5/8-11-2-1/2-8	1.25	7.75	.25	.375	.19	1.12	7.50
320TY	17.00	.88	.69	5/8-11-3-8	1.25	10.88	.25	.375	.19	2.25	11.50

- (1) SPECIAL DIMENSIONS ON THIS LINE.
- (2) 'BD' VARIES ± .010
- (3) 'U' VARIES — UP TO 1.625 DIA. +.0000, -.0005
1.625 DIA. AND LARGER +.000, -.001
- (4) TAP DEPTH ON 250TY IS 1.38"
TAP DEPTH ON 320TY IS 1.38"
- (5) LEAD WIRE LENGTH AS SPECIFIED ON CERTIFICATION
- (6) 'AK' VARIES +.000, -.002
- (7) MINIMUM SUBMERGED DEPTH,
FACE ROUNDT AND ECCENTRICITY .008 MAX. T.I.R.
PROTECTIVE CONDUIT FURNISHED BY CUSTOMER.
- (8) 3" - 8 PIPE THREAD SUPPLIED WITH CABLE
SIZES NO. 4 AND LARGER.

CUSTOMER IS RESPONSIBLE FOR DETERMINING THAT BALDOR'S PRODUCT WILL PERFORM SUITABLY IN THE INTENDED APPLICATION.

REV. DESC: CORRECT "L" DIMENSION	VERSION: 03	TDR: 00000974505
REV. LTR: C	REVISED: 11:00:52 04/07/2016	BY: RGGWT
FILE: \RGG\00024\997		
MTL: -		



DIM SHT, 250TY THRU 320TY, SUBMERSIBLE, SMALLER SHAFT & FLG