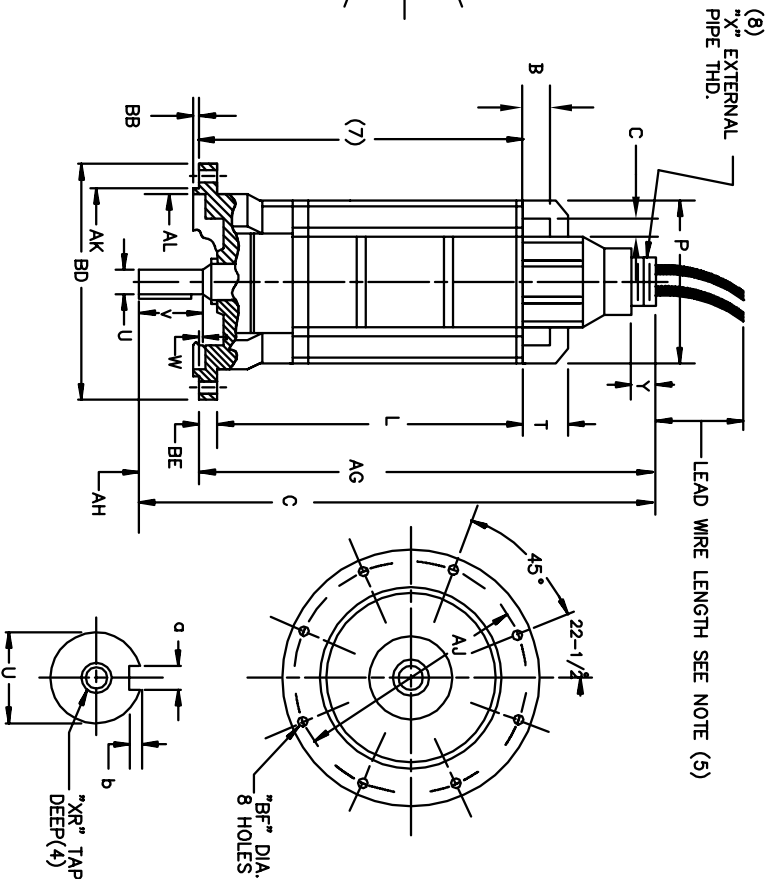
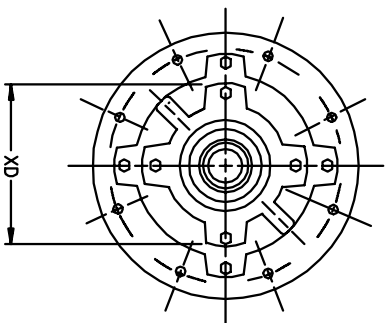
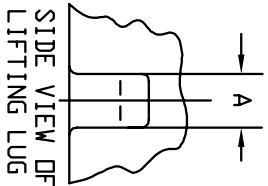


DUTY MASTER ALTERNATING CURRENT MOTORS

SQUIRREL-CAGE INDUCTION
ENCLOSURE: TOTALLY ENCLOSED

FRAMES 210TY THRU 320TY

SUBMERSIBLE



DIMENSIONS ARE IN INCHES. SEE SHEET 2 FOR MILLIMETERS.

FRAME	C	L	P	T	U(3)	V	W	AG	AH	AJ	AK (6)	AL	LEADING LUG DIMENSIONS	
													A	B
210TY	31.69	21.12	11.50	2.25	1.4380	2.00	.44	30.12	1.56	14.12	13.125	12.00	.88	1.50
250TY	37.34	23.63	12.75	3.50	1.750	3.31	.28	34.31	3.03	16.00	15.000	14.00	.75	2.25
320TY	43.12	24.69	15.75	4.25	2.500	3.19	2.12	37.81	5.31	17.25	16.000	15.25	1.25	2.25
(1)														1.50

FRAME	BD(2)	BE	BF	XR(4)	LEAD CONNECTION			B.E. KEYWAY		WEIGHT		
					X (8)	Y	BB	d	b		LENGTH	
210TY	15.250	.75	.56	5/8-11	2-1/2-8	1.25	7.75	.25	.375	.19	1.12	315
250TY	17.000	.88	.69	5/8-11	2-1/2-8	1.25	7.75	.25	.375	.19	2.25	750
320TY	18.750	.88	.69	3/4-10	3-8	1.25	10.88	.25	.500	.25	3.00	1150
(1)												

- (1) SPECIAL DIMENSIONS ON THIS LINE.
- (2) "BD" VARIES ±010.
- (3) "U" VARIES — UP TO 1.625 DIA. +.0000, -.0005
1.625 DIA. AND LARGER +.000, -.001.
- (4) TAP DEPTH ON 210TY THRU 250TY IS 1.38"
TAP DEPTH ON 320TY IS 1.50"
- (5) LEAD WIRE LENGTH AS SPECIFIED ON CERTIFICATION
- (6) "AK" VARIES +.000, -.002
- (7) MINIMUM SUBMERGED DEPTH.
FACE RUNOUT AND ECCENTRICITY .008 MAX. T.I.R.
PROTECTIVE CONDUIT FURNISHED BY CUSTOMER.
- (8) 3" - 8 PIPE THREAD SUPPLIED WITH CABLE
SIZES NO. 4 AND LARGER.

SH1

FRAME _____ TYPE _____ CERTIFIED FOR _____ RPM _____ PH _____ HZ _____ VOLTS _____
 ORDER _____ ITEM _____ HP _____ APPROVED BY _____ DATE _____
 RELIANCE SALES ORDER _____

CUSTOMER IS RESPONSIBLE FOR DETERMINING THAT BALDOR'S PRODUCT WILL PERFORM SUITABLY IN THE INTENDED APPLICATION.

REV. DESC: MOVE V DIM. TO CORRECT POSITION (SH1)		
REV. LTR: D	VERSION: 04	TDR: 00000876933
FILE: \RGG\00006\320	REVISED: 08:13:18 10/21/2014	BY: RGGWT
MTL: -		

BALDOR

DIMENSION SHEET DUTY MASTER A/C MOTORS