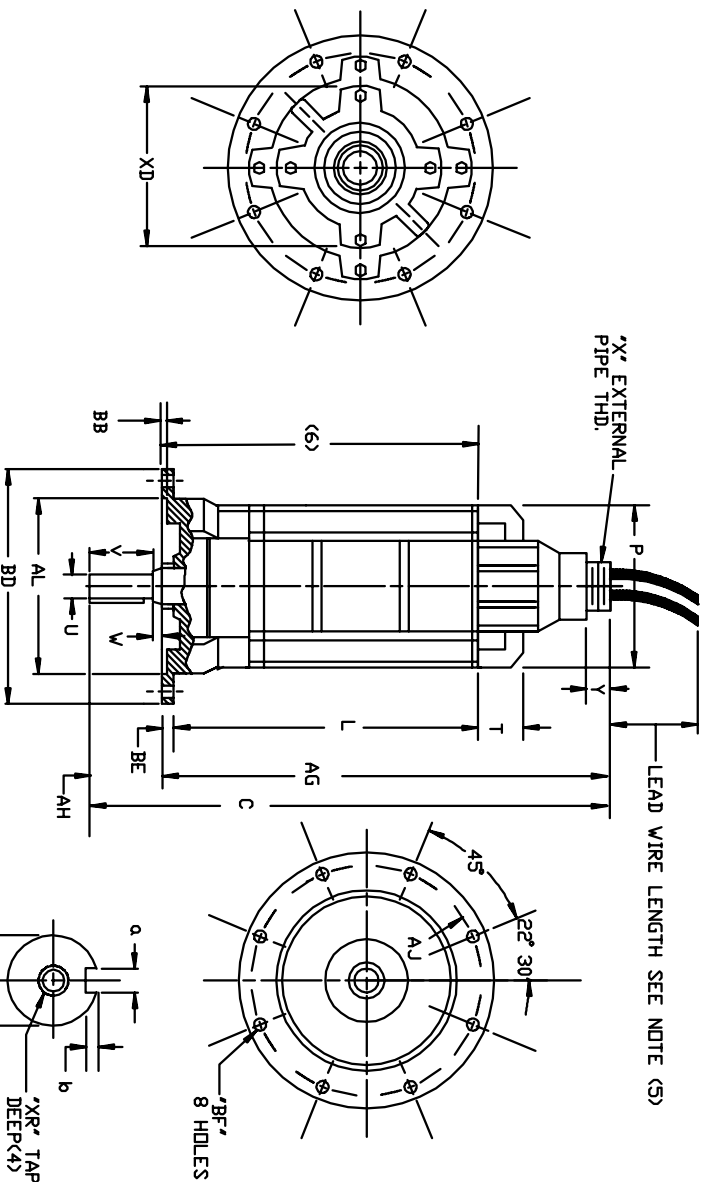


DUTY MASTER ALTERNATING CURRENT MOTORS

SQUIRREL-CAGE INDUCTION
ENCLOSURE: TOTALLY ENCLOSED
SUBMERSIBLE

FRAME 140TY THRU 180TY



DIMENSIONS ARE IN INCHES SEE SHEET 2 FOR MILLIMETERS

FRAME	C	L	P	T	UC(3)	V	W	AG	AH	AJ	AL(7)
140TY	25.44	15.38	8.00	2.25	.8750	1.25	.31	23.88	1.59	10.00	9.125
180TY	26.66	16.56	9.62	2.25	1.2500	2.00	.28	24.38	2.28	11.50	10.625

FRAME	BD(2)	BE	BF	XR(4)	LEAD CONNECTION		BE KEYWAY					
					X	Y	XD	a	b	LENGTH	WEIGHT	
140TY	11.062	.75	.44	3/8-16	2-1/2-8	1.25	5.50	.12	.187	.09	1.25	160
180TY	12.375	.75	.56	1/2-13	2-1/2-8	1.25	6.75	.12	.250	.12	1.12	200

- (1) SPECIAL DIMENSIONS ON THIS LINE:
- (2) *BD* VARIES ± .010.
- (3) *U* VARIES +.0000, -.0005.
- (4) TAP DEPTH ON 140TY IS .881, 180TY IS 1.38
- (5) LEAD WIRE LENGTH AS SPECIFIED ON CERTIFICATION
- (6) MINIMUM SUBMERGED DEPTH.
- (7) *AL* VARIES +.004, -.000.

FACE ROUNDT AND ECCENTRICITY .008 MAX. T.I.R.
PROTECTIVE CONDUIT FURNISHED BY CUSTOMER.

CUSTOMER IS RESPONSIBLE FOR DETERMINING THAT BALDOR'S PRODUCT WILL PERFORM SUITABLY IN THE INTENDED APPLICATION.

REV. DESC: CHANGE L DIM FROM 16.50 TO 16.56 (SH1)	VERSION: 01	TDR: 00000837009
REV. LTR: A	REVISED: 09:10:21 01/30/2014	BY: RGGWT
FILE: \RGG\00016\668		
MTL: -		



DIM SHT 140TY THRU 180TY