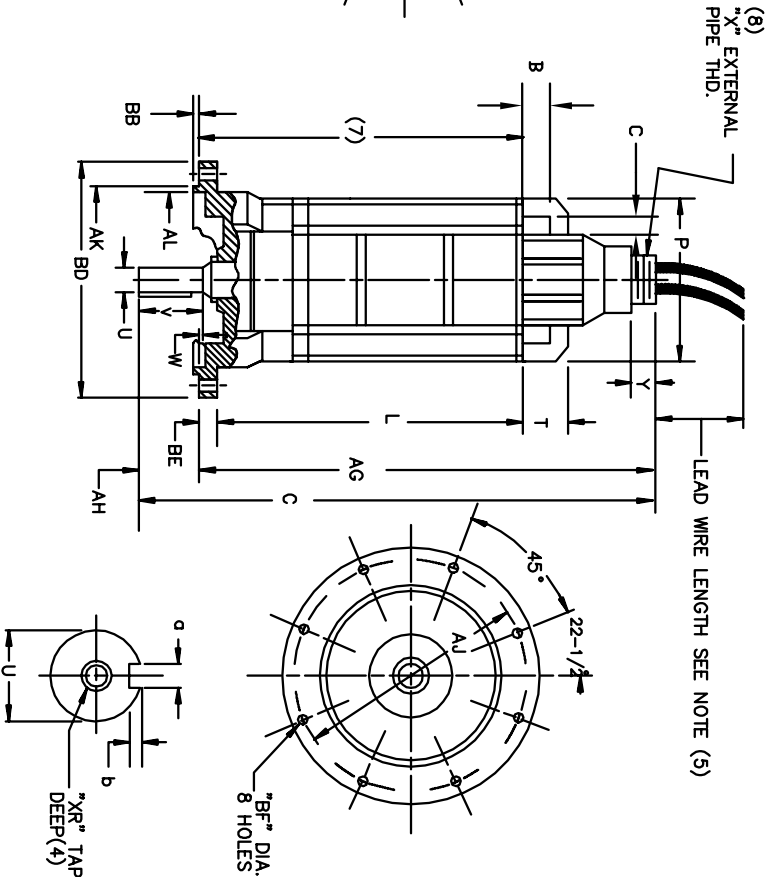
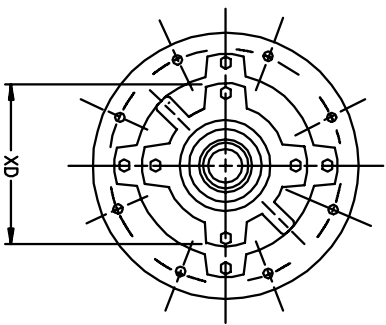
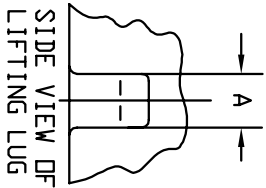


DUTY MASTER ALTERNATING CURRENT MOTORS

SQUIRREL-CAGE INDUCTION
ENCLOSURE: TOTALLY ENCLOSED

FRAMES 210TY THRU 320TY

SUBMERSIBLE



(9) "X" EXTERNAL PIPE THD.
LEAD WIRE LENGTH SEE NOTE (5)

DIMENSIONS ARE IN INCHES. SEE SHEET 2 FOR MILLIMETERS.

| FRAME | C | L | P | T | U(3) | V | W | AG | AH | AJ | AK (6) | AL | LEADING LUG DIMENSIONS |
|-------|-------|-------|-------|------|--------|------|------|-------|------|-------|--------|-------|------------------------|
| | | | | | | | | | | | | | A |
| 210TY | 31.69 | 21.12 | 11.50 | 2.25 | 1.4380 | 2.00 | .44 | 30.12 | 1.56 | 14.12 | 13.125 | 12.00 | .88 |
| 250TY | 37.34 | 23.63 | 12.75 | 3.50 | 1.750 | 3.31 | .28 | 34.31 | 3.03 | 16.00 | 15.000 | 14.00 | .75 |
| 320TY | 43.12 | 24.69 | 15.75 | 4.25 | 2.500 | 3.19 | 2.12 | 37.81 | 5.31 | 17.25 | 16.000 | 15.25 | 2.25 |
| (1) | | | | | | | | | | | | | 2.25 |
| | | | | | | | | | | | | | 1.50 |

| FRAME | BD(2) | BE | BF | XR(4) | LEAD CONNECTION | | | B.E. KEYWAY | | WEIGHT | | |
|-------|--------|-----|-----|--------|-----------------|------|-------|-------------|------|--------|------|------|
| | | | | | X (8) | Y | BB | a | b | | | |
| 210TY | 15.250 | .75 | .56 | 5/8-11 | 2-1/2-8 | 1.25 | 7.75 | .25 | .375 | .19 | 1.12 | 315 |
| 250TY | 17.000 | .88 | .69 | 5/8-11 | 2-1/2-8 | 1.25 | 7.75 | .25 | .375 | .19 | 2.25 | 750 |
| 320TY | 18.750 | .88 | .69 | 3/4-10 | 3-8 | 1.25 | 10.88 | .25 | .500 | .25 | 3.00 | 1150 |
| (1) | | | | | | | | | | | | |

- (1) SPECIAL DIMENSIONS ON THIS LINE.
- (2) "BD" VARIES ±010.
- (3) "U" VARIES — UP TO 1.625 DIA. +.0000, -.0005
1.625 DIA. AND LARGER +.000, -.001.
- (4) TAP DEPTH ON 210TY THRU 250TY IS 1.38"
TAP DEPTH ON 320TY IS 1.50"
- (5) LEAD WIRE LENGTH AS SPECIFIED ON CERTIFICATION
- (6) "AK" VARIES +.000, -.002
- (7) MINIMUM SUBMERGED DEPTH.
FACE RUNOUT AND ECCENTRICITY .008 MAX. T.I.R.
PROTECTIVE CONDUIT FURNISHED BY CUSTOMER.
- (8) 3" - 8 PIPE THREAD SUPPLIED WITH CABLE
SIZES NO. 4 AND LARGER.

SH1

FRAME _____ TYPE _____ CERTIFIED FOR _____ RPM _____ PH _____ HZ _____ VOLTS _____
 ORDER _____ ITEM _____ HP _____ APPROVED BY _____ DATE _____
 RELIANCE SALES ORDER _____

CUSTOMER IS RESPONSIBLE FOR DETERMINING THAT BALDOR'S PRODUCT WILL PERFORM SUITABLY IN THE INTENDED APPLICATION.

| | | |
|--|------------------------------|------------------|
| REV. DESC: MOVE V DIM. TO CORRECT POSITION (SH1) | VERSION: 04 | TDR: 00000876933 |
| REV. LTR: D | REVISED: 08:13:18 10/21/2014 | BY: RGGWT |
| FILE: \RGG\00006\320 | | |
| MTL: - | | |



DIMENSION SHEET DUTY MASTER A/C MOTORS