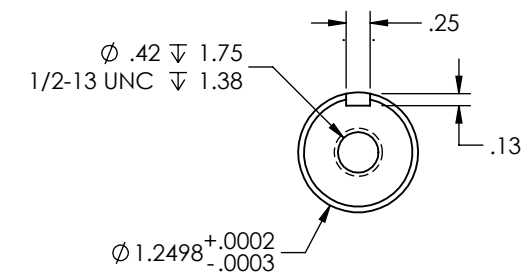
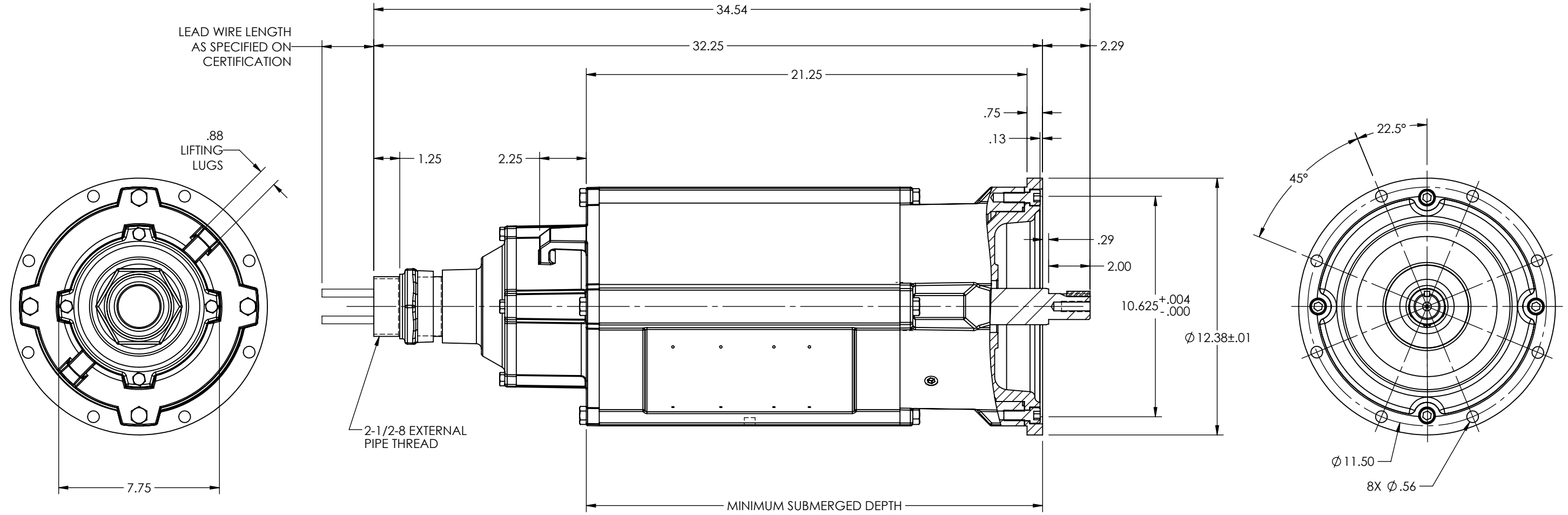


DUTY MASTER ALTERNATING CURRENT MOTORS

SQUIRREL-CAGE INDUCTION
ENCLOSURE: TOTALLY ENCLOSED

SUBMERSIBLE

066930-503



NOTES:

1. FACE RUNOUT AND ECCENTRICITY .008 MAX T.I.R.
2. PROTECTIVE CONDUIT FURNISHED BY CUSTOMER
3. WEIGHT (LBS): 315 +/- 15%
4. 3" - 8 PIPE THREAD SUPPLIED WITH CABLE SIZES NO. 4 AND LARGER

CUSTOMER IS RESPONSIBLE FOR DETERMINING THAT BALDOR'S PRODUCT WILL PERFORM SUITABLY IN THE INTENDED APPLICATION

REV. DESC: NEW TO REPLACE 210TY ON 066930-020			
REV: -	VERSION: 00	REVISED: 02:48:07 05/23/2016	TDR: 000000980745
MODEL NO. 066930-503		REF: -	
BY: ENWINB0			B

BALDOR

DIM SHT 210TY (066930-020)

066930-503