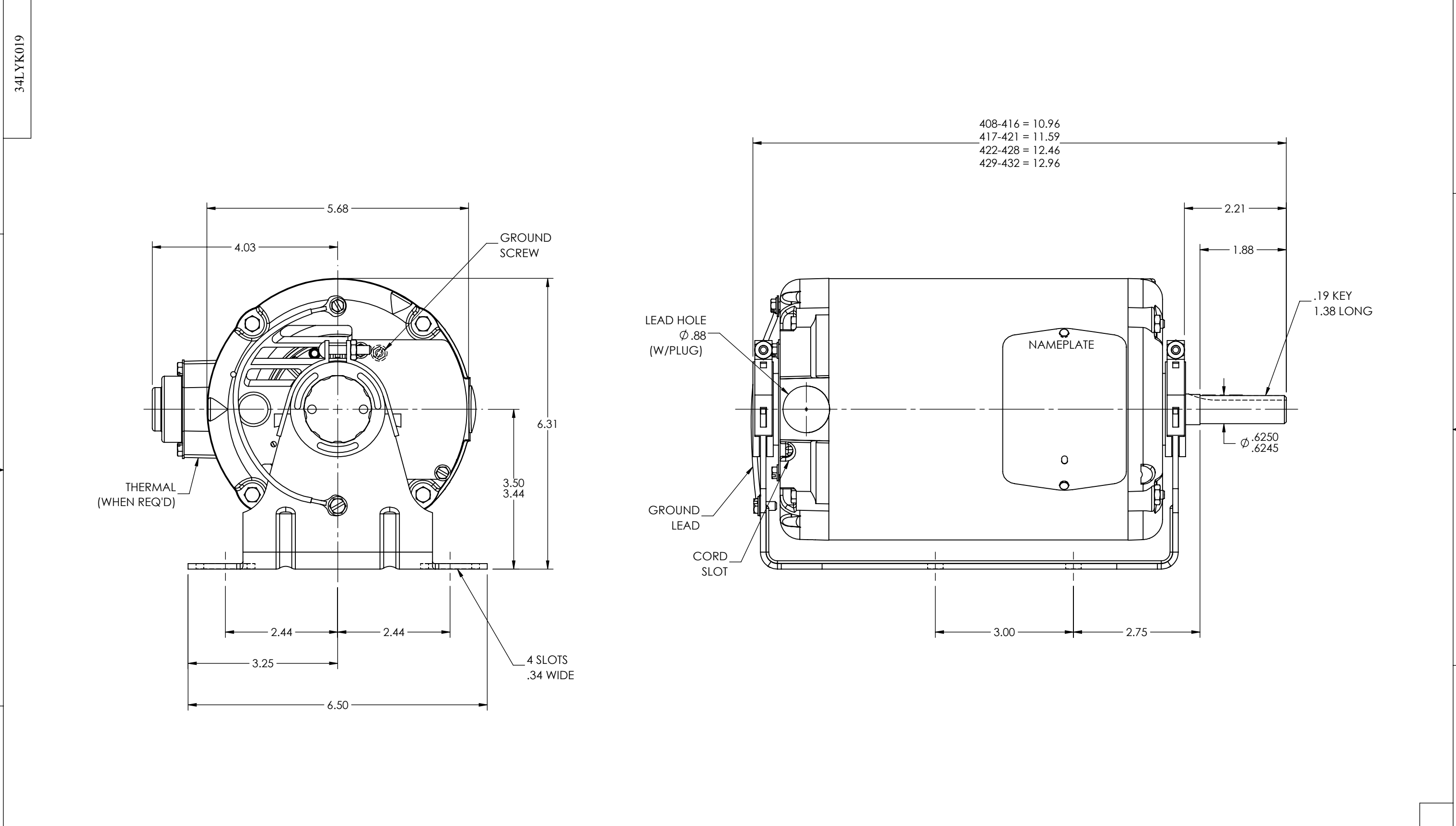


8 7 6 5 4 3 2 1



CUSTOMER IS RESPONSIBLE FOR DETERMINING THAT THE PRODUCT WILL PERFORM SUITABLY IN THE INTENDED APPLICATION

REV. DESC: ADD THERMAL LOCATION			
REV: E	VERSION: 03	REVISED: 09:14:35 03/01/2019	TDR: 000001101256
MODEL NO. 34LYK019			REF: -
BY: ENJEFD0			B

BALDOR - RELIANCE®

STD RESIL MTD MODEL 34M NEMA 56 OPEN W/TERM PANEL
 SH 1 of 1

34LYK019

8 7 6 5 4 3 2 1