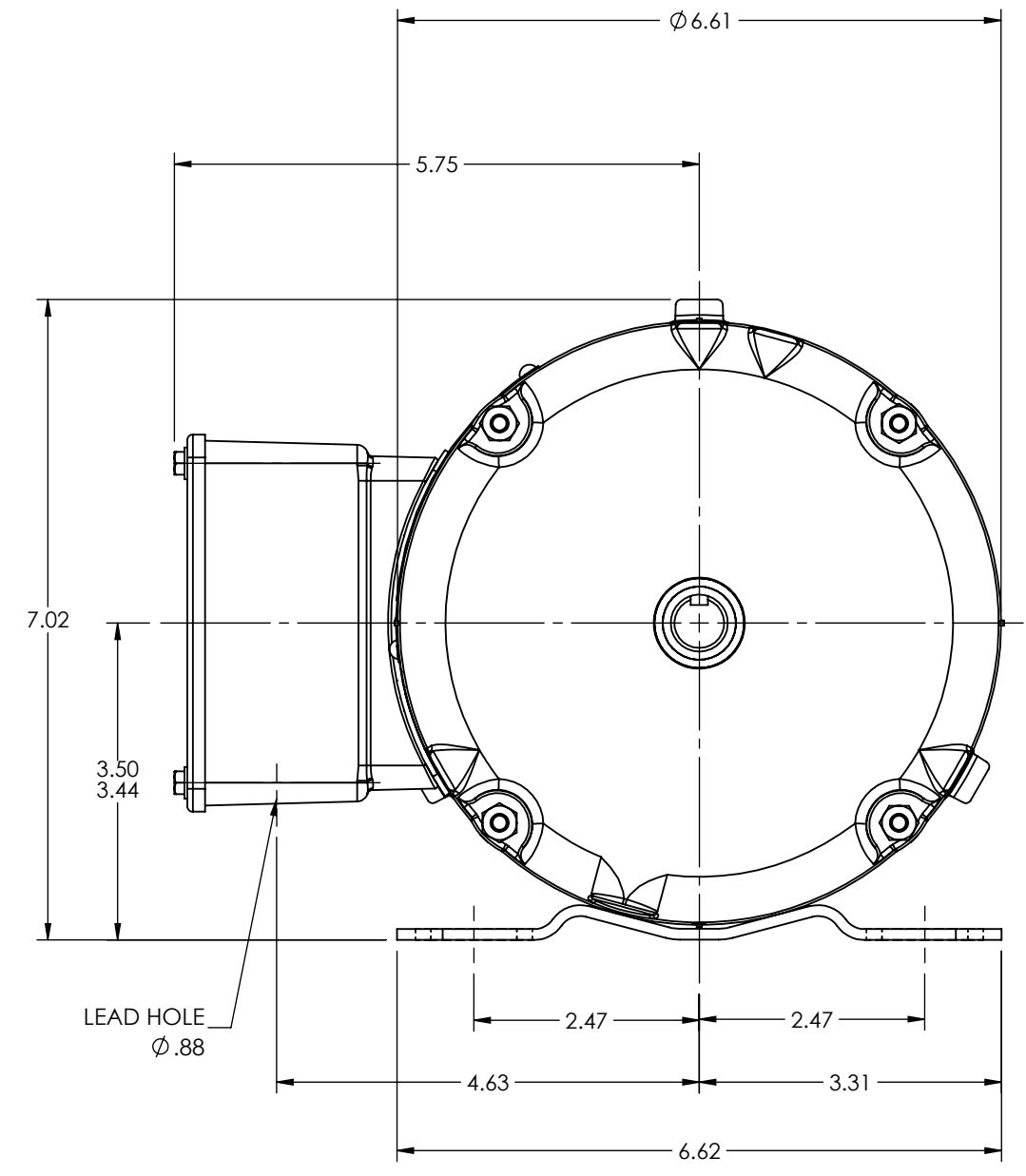
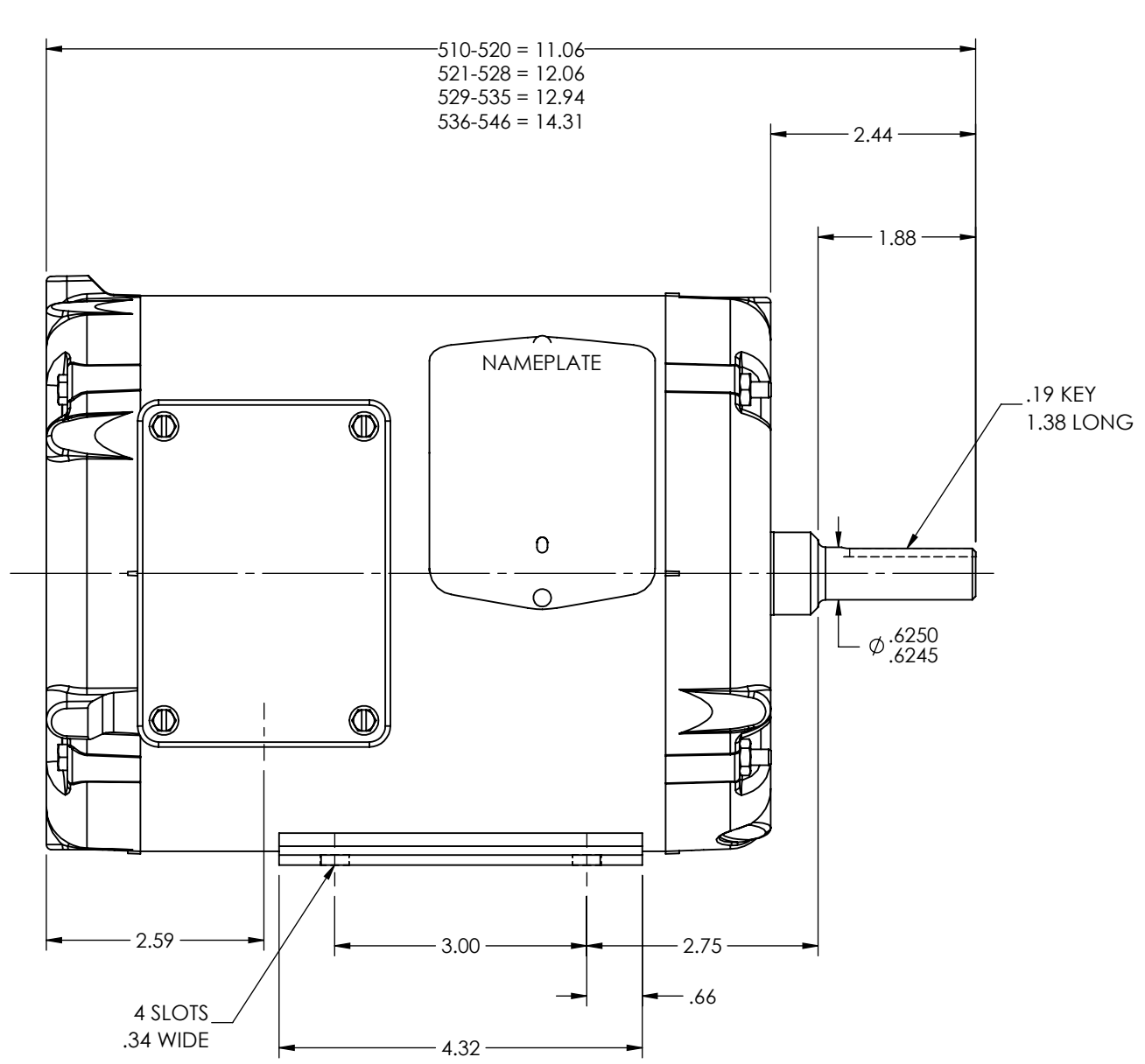


8 7 6 5 4 3 2 1

35LYA026



D  
C  
B  
A

D  
C  
B  
A

CUSTOMER IS RESPONSIBLE FOR DETERMINING THAT THE PRODUCT WILL PERFORM SUITABLY IN THE INTENDED APPLICATION

REV. DESC: LOADING OF SWD DWG FOR 2D TO 3D CONVERSION - PKG13			
REV: P	VERSION: 06	REVISED: 02:57:26 12/19/2018	TDR: 000001094435
MODEL NO. 35LYA026			REF: -
BY: ENSTEK0			<b>B</b>

**BALDOR - RELIANCE®**

STD HORZ 56 TENV 35M  
SH 1 of 1

35LYA026

8 7 6 5 4 3 2 1