

35LYL100

35LYL100

510-528 = 14.29
 529-535 = 15.16
 536-546 = 16.54

GREASE FITTING
 (EA. END)

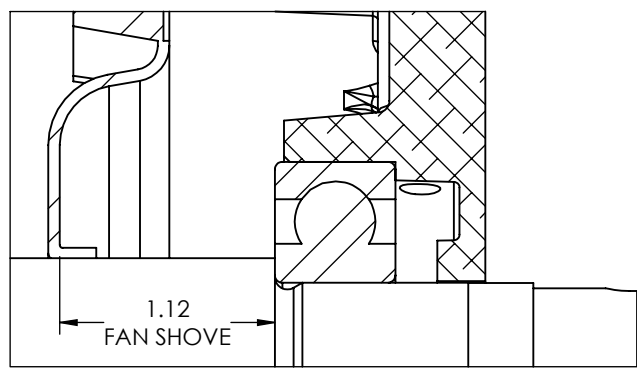
NAMEPLATE

.25 KEY
 1.75 LONG

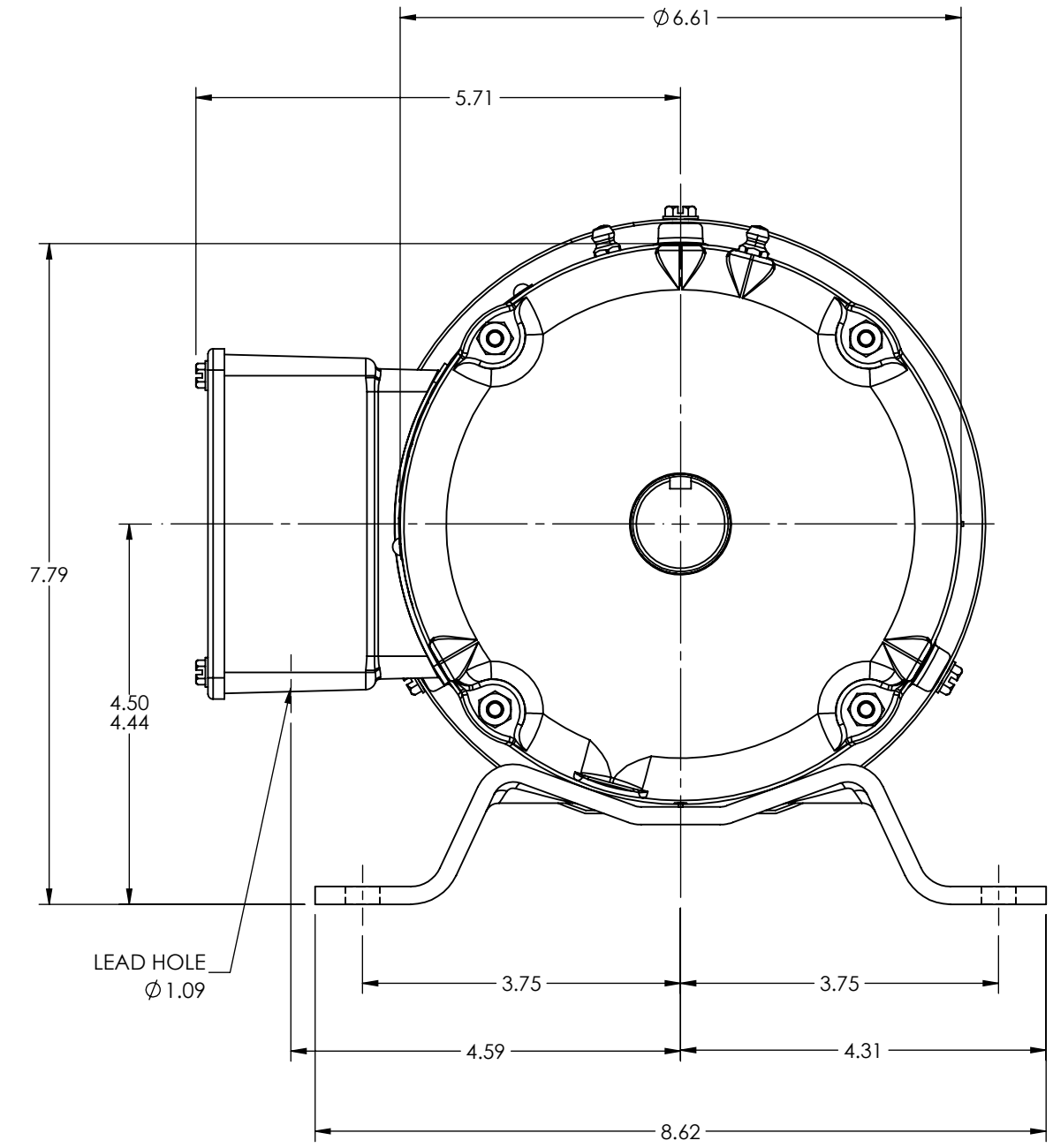
Ø 1.1250
 Ø 1.1245

6 HOLES
 Ø .41

4.50
 2.75
 5.50
 .50
 6.50



PULLEY END DETAIL



CUSTOMER IS RESPONSIBLE FOR DETERMINING THAT THE PRODUCT WILL PERFORM SUITABLY IN THE INTENDED APPLICATION

REV. DESC: LOADING OF SWD DWG FOR 2D TO 3D CONVERSION - PKG16			
REV: M	VERSION: 03	REVISED: 11:35:37 02/01/2019	TDR: 000001098202
MODEL NO. 35LYL100		REF: -	
BY: ENSTEK0		B	

BALDOR - RELIANCE®

STD HORZ 182-4T TEFC 35M
 SH 1 of 1