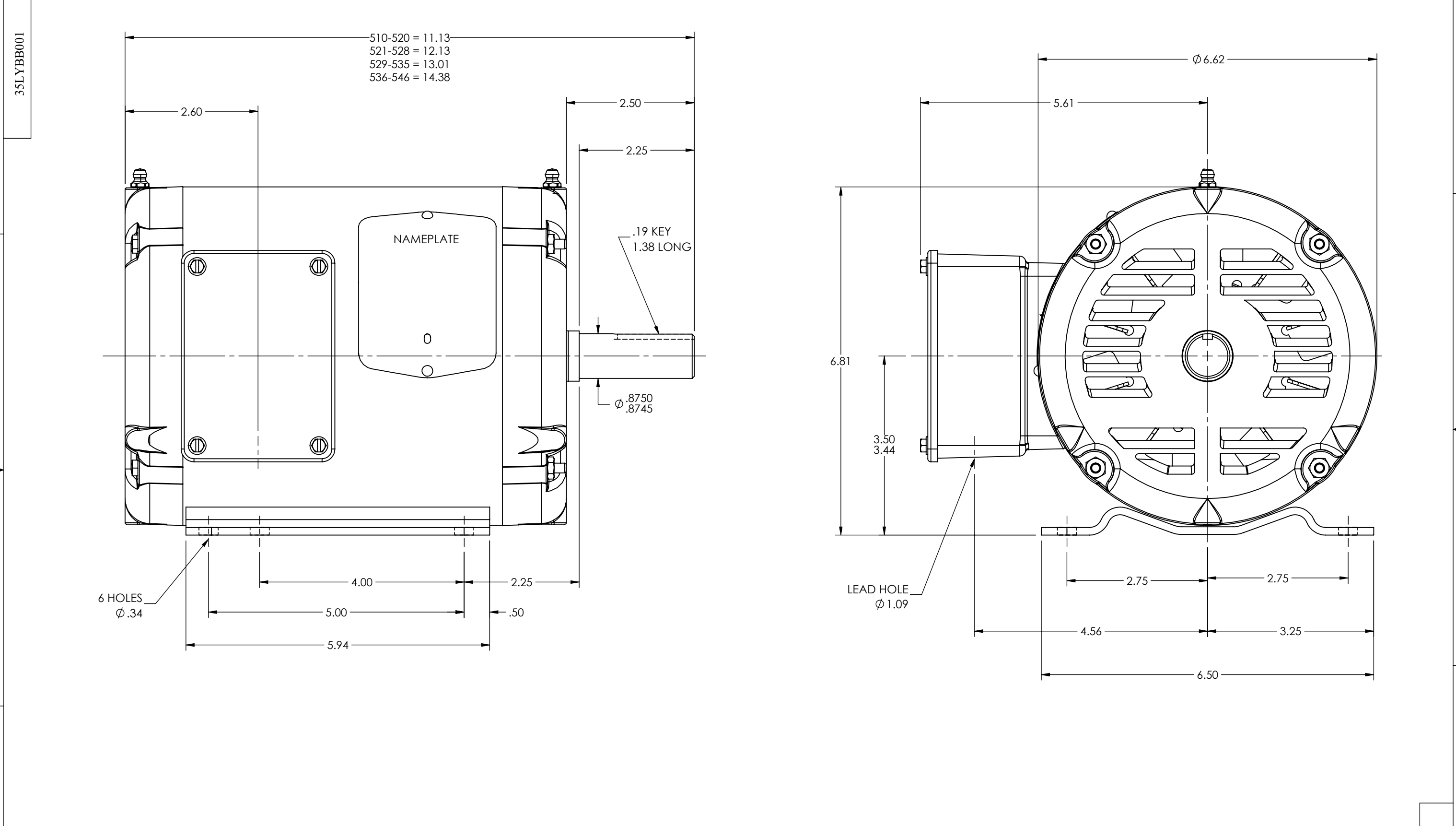


8 7 6 5 4 3 2 1



CUSTOMER IS RESPONSIBLE FOR DETERMINING THAT THE PRODUCT WILL PERFORM SUITABLY IN THE INTENDED APPLICATION

REV. DESC: LOADING OF SWD DWG FOR 2D TO 3D CONVERSION - PKG13			
REV: D	VERSION: 04	REVISED: 02:53:04 12/19/2018	TDR: 000001094435
MODEL NO. 35LYBB001		REF: -	
BY: ENSTEK0		B	

BALDOR - RELIANCE®

STD HORZ 143-145T OPEN 35M W/1.09 DIA. LEAD HOLE
SH 1 of 1

8 7 6 5 4 3 2 1

35LYBB001