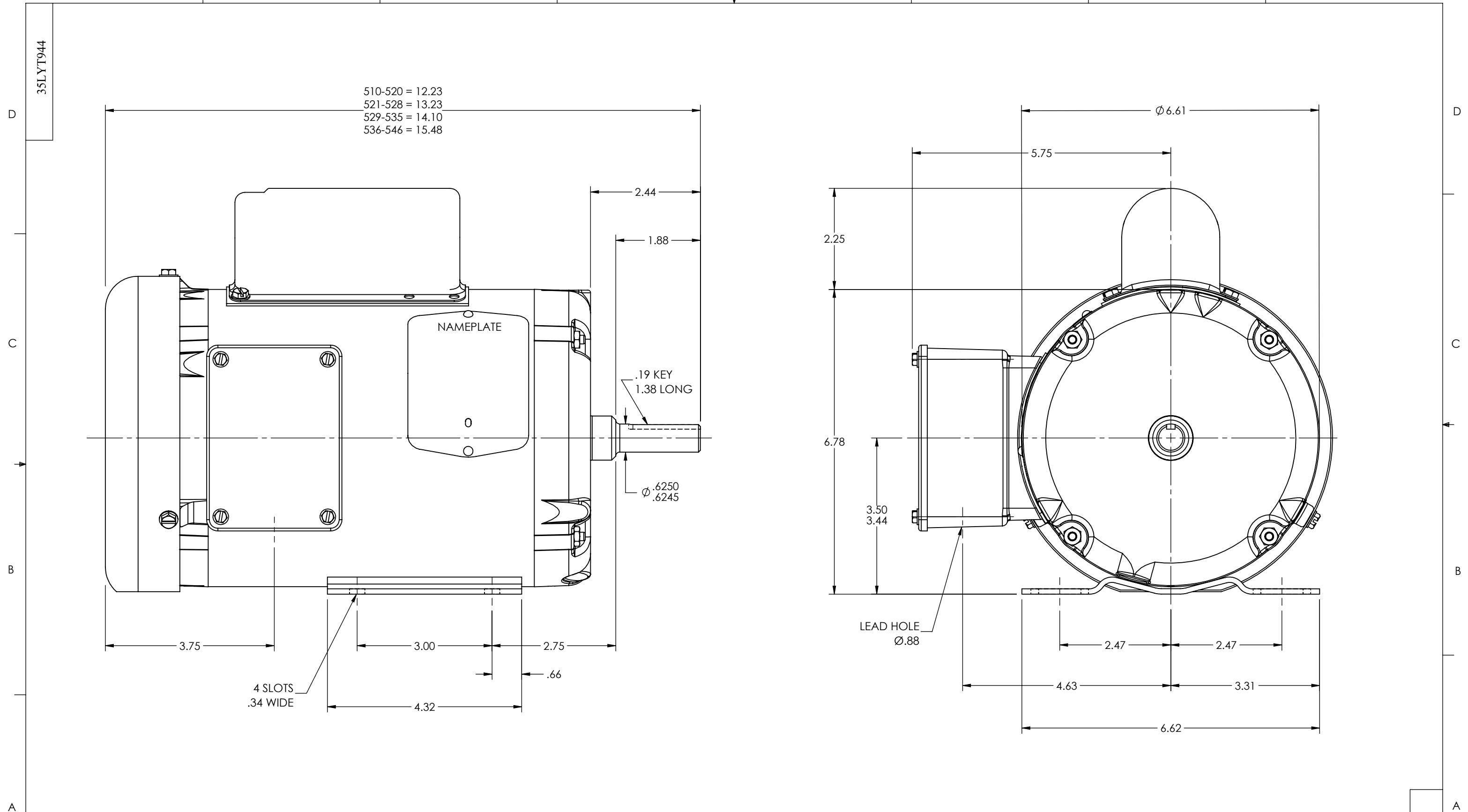


8 7 6 5 4 3 2 1



CUSTOMER IS RESPONSIBLE FOR DETERMINING THAT THE PRODUCT WILL PERFORM SUITABLY IN THE INTENDED APPLICATION

REV. DESC: LOAD INOPC CREATED SWD DRG INTO BUS - PACKAGE 16			
REV: D	VERSION: 04	REVISED: 07:36:36 02/04/2019	TDR: 000001098202
MODEL NO. 35LYT944		REF: -	
BY: USBUFRA		<b>B</b>	

**BALDOR - RELIANCE®**

STD HORZ 56 TEFC 35L 2 POLE "W" BASE (35BA4010)  
 SH 1 OF 1

A

35LYT944

8 7 6 5 4 3 2 1