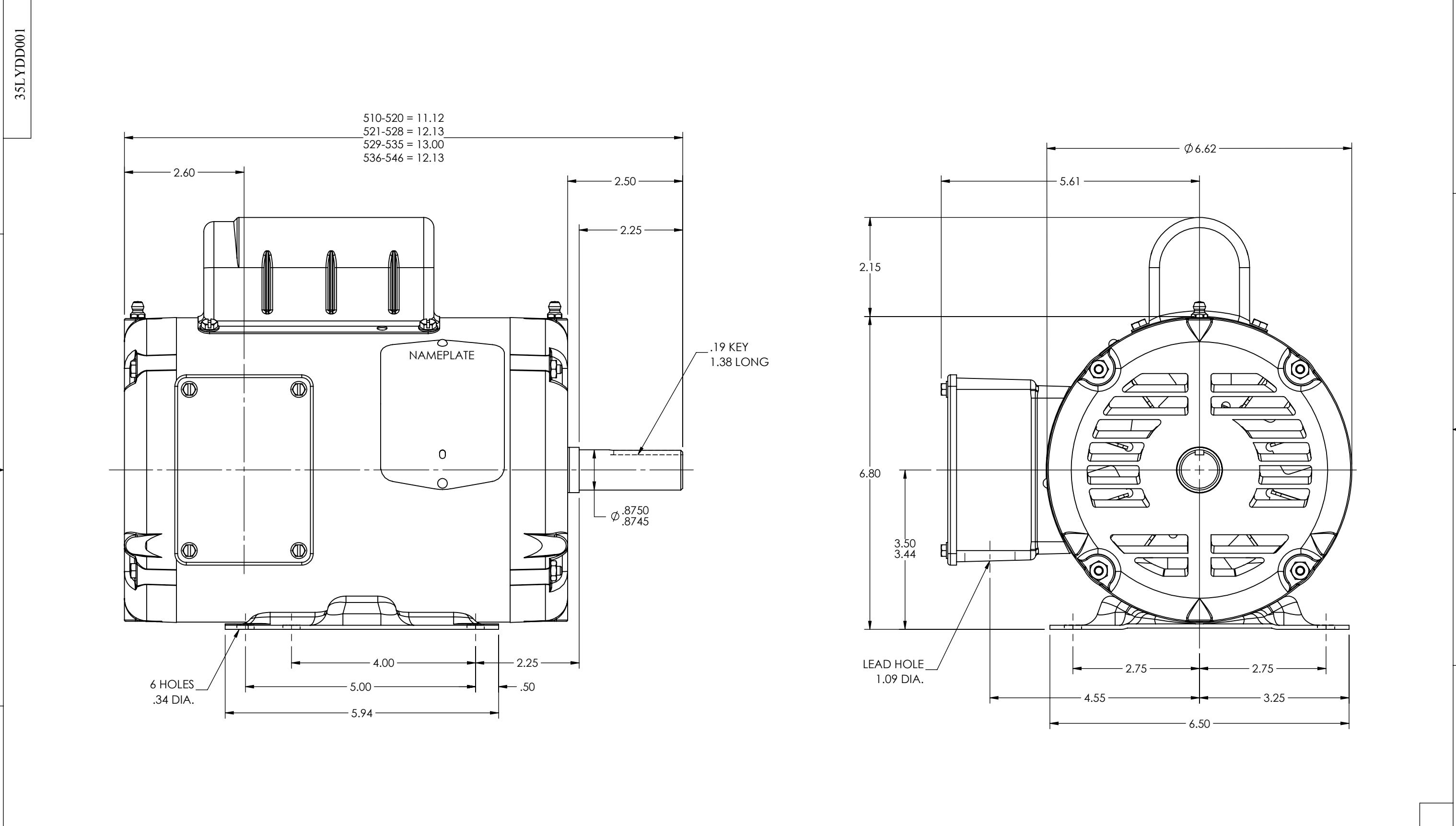


8 7 6 5 4 3 2 1



CUSTOMER IS RESPONSIBLE FOR DETERMINING THAT THE PRODUCT WILL PERFORM SUITABLY IN THE INTENDED APPLICATION

REV. DESC: LOADING OF SWD DWG FOR 2D TO 3D CONVERSION - PKG11			
REV: B	VERSION: 02	REVISED: 01:43:23 11/30/2018	TDR: 000001092572
MODEL NO. 35LYDD001		REF: -	
BY: ENALEM0			<b>B</b>

**BALDOR - RELIANCE®**

STD HORZ 143-5T OPEN 35L W/1.09 DIA. LEAD HOLE  
 SH 1 OF 1

A

35LYDD001

8 7 6 5 4 3 2 1