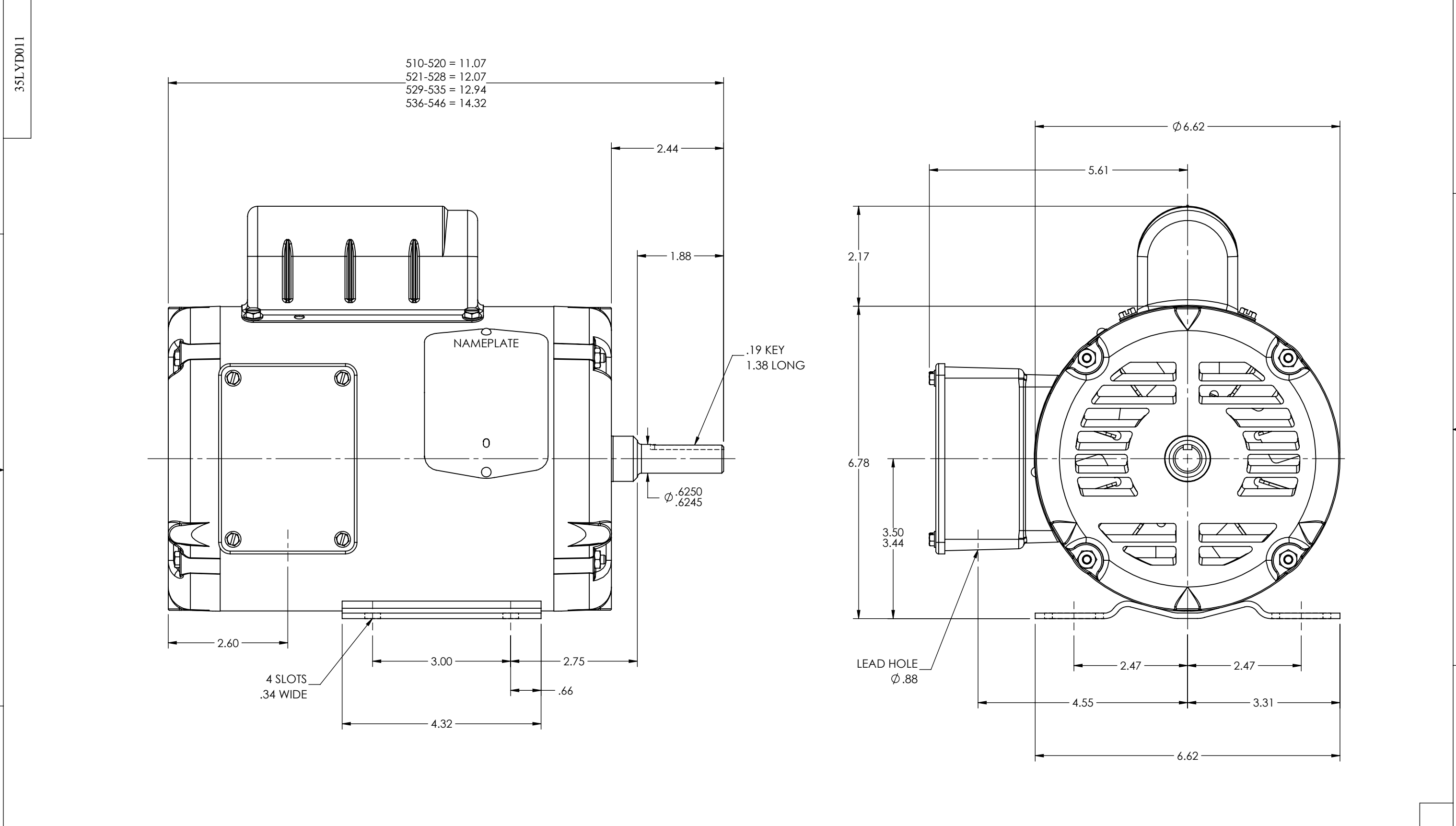


8 7 6 5 4 3 2 1



CUSTOMER IS RESPONSIBLE FOR DETERMINING THAT THE PRODUCT WILL PERFORM SUITABLY IN THE INTENDED APPLICATION

REV. DESC: LOADING OF SWD DWG FOR 2D TO 3D CONVERSION - PKG15			
REV: M	VERSION: 04	REVISED: 10:43:50 01/22/2019	TDR: 000001096905
MODEL NO. 35LYD011		REF: -	
BY: ENSTEK0			B

BALDOR - RELIANCE®

STD HORZ 56 OPEN 35L
 SH 1 of 1

35LYD011

8 7 6 5 4 3 2 1