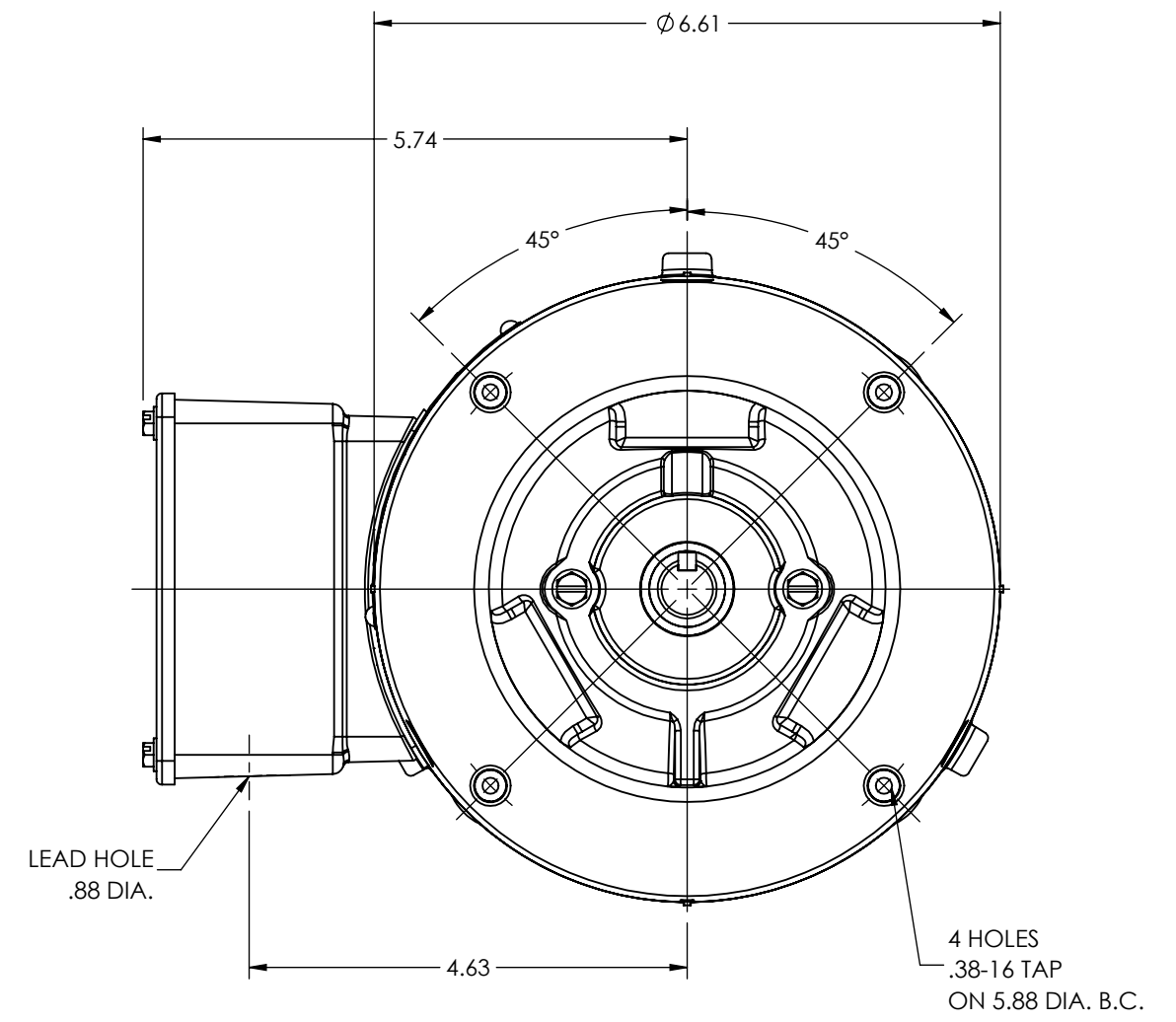
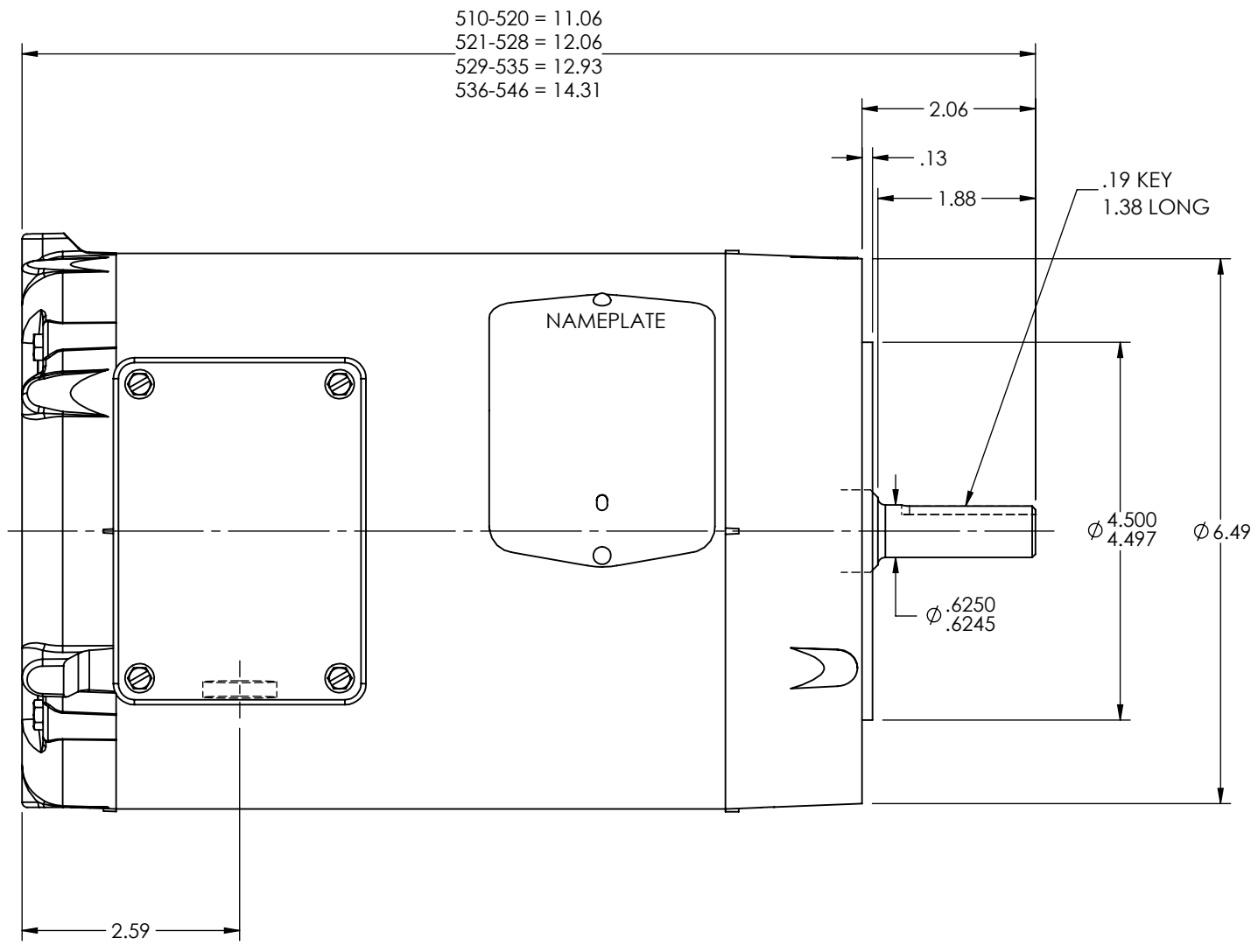


8 7 6 5 4 3 2 1

35LYE010

D  
C  
B  
A



D  
C  
B  
A

35LYE010

CUSTOMER IS RESPONSIBLE FOR DETERMINING THAT THE PRODUCT WILL PERFORM SUITABLY IN THE INTENDED APPLICATION

REV. DESC: LOADING OF SWD DWG FOR 2D TO 3D CONVERSION - PKG11			
REV: K	VERSION: 06	REVISED: 01:36:25 11/30/2018	TDR: 000001092572
MODEL NO. 35LYE010			REF: -
BY: ENALEM0			<b>B</b>

**BALDOR - RELIANCE®**

STD VERT 56C TENV 35M  
SH 1 of 1

8 7 6 5 4 3 2 1