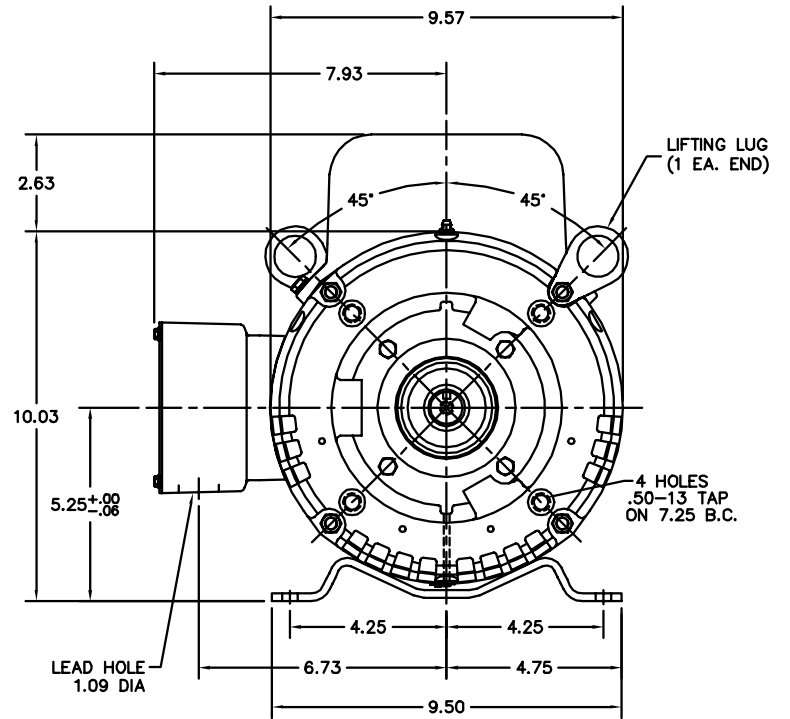


PULLEY END DETAIL



CUSTOMER IS RESPONSIBLE FOR DETERMINING THAT BALDOR'S PRODUCT WILL PERFORM SUITABLY IN THE INTENDED APPLICATION.

REV. DESC: REPLACE ENDPLATES		
REV. LTR: A	VERSION: 01	TDR: 000001018975
FILE: \AAA\00170\095	REVISED: 08:48:02 03/21/2017	BY: USZAHAR
MTL: -		

**BALDOR**

HORZ 213-5JP OPEN 37L-LC W/SCREENS, LIFTING LUGS, TORQ SWITCH

SH 1 of 1