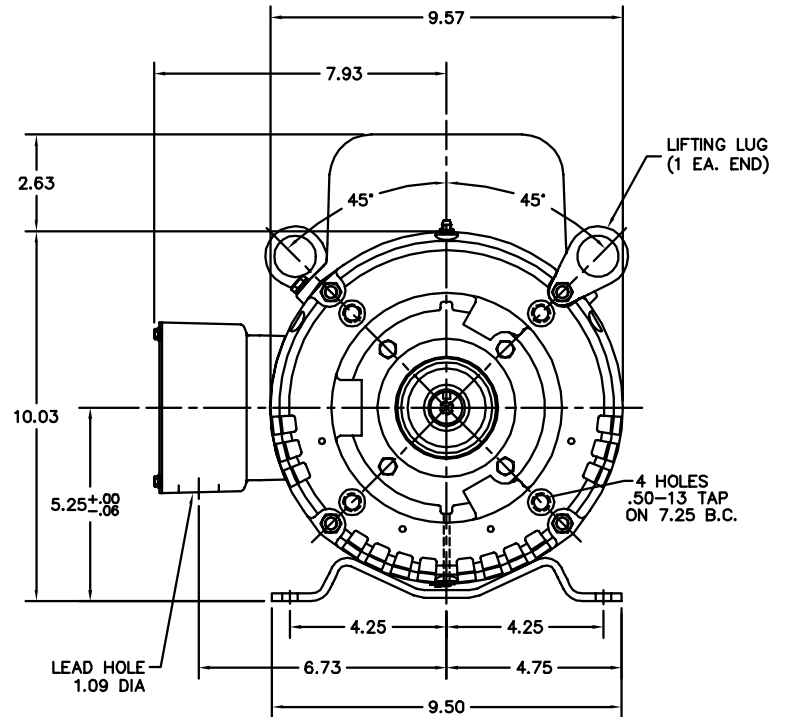


PULLEY END DETAIL



CUSTOMER IS RESPONSIBLE FOR DETERMINING THAT BALDOR'S PRODUCT WILL PERFORM SUITABLY IN THE INTENDED APPLICATION.

REV. DESC: REPLACE ENDPLATES		
REV. LTR: M	VERSION: 02	TDR: 00001018975
FILE: \AAA\00009\712	REVISED: 04:44:36 03/16/2017	BY: USZAHAR
MTL: -		

BALDOR

HORZ 213-5JP OPEN 37L-LC W/SCREENS, LIFTING LUGS

SH 1 of 1