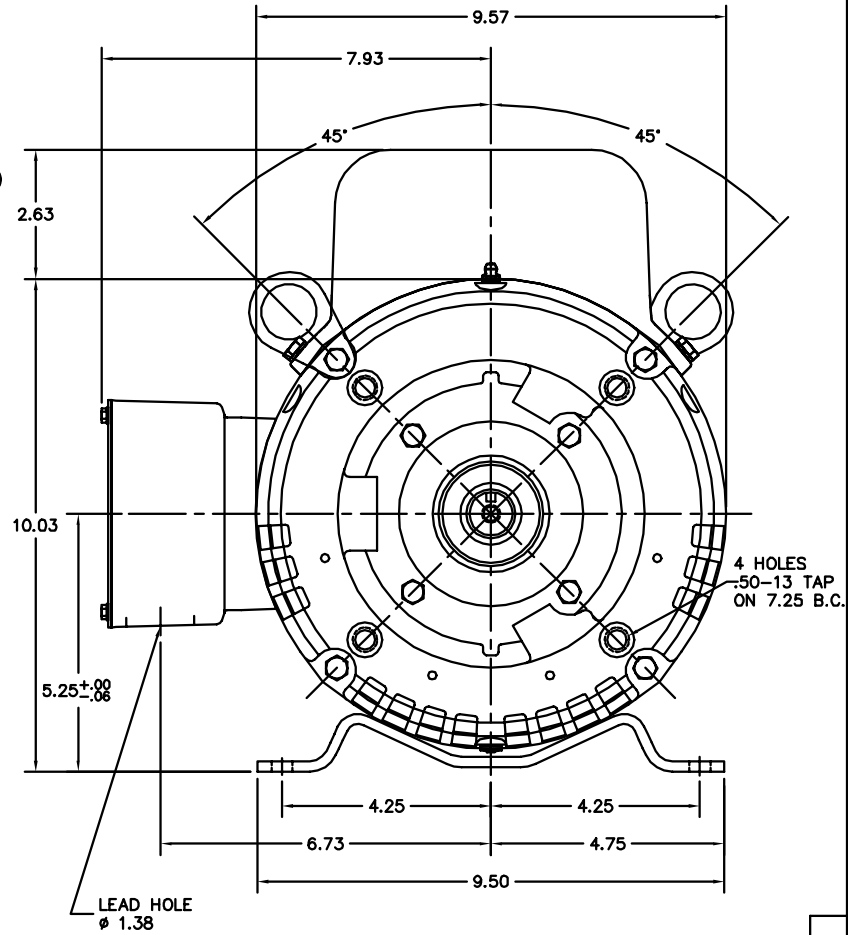


PULLEY END DETAIL



CUSTOMER IS RESPONSIBLE FOR DETERMINING THAT BALDOR'S PRODUCT WILL PERFORM SUITABLY IN THE INTENDED APPLICATION.

REV. DESC: REPLACE ENDPLATES		
REV. LTR: C	VERSION: 03	TDR: 000001018975
FILE: \AAA\00144\882	REVISED: 08:31:12 03/21/2017	BY: USZAHAR
MTL: -		

BALDOR

STD 213-5JM OPEN HORZ 37LC, TORX SWITCH

SH 1 of 1