

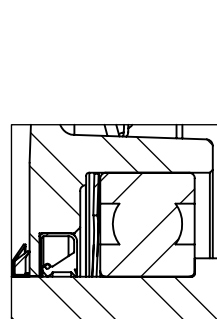
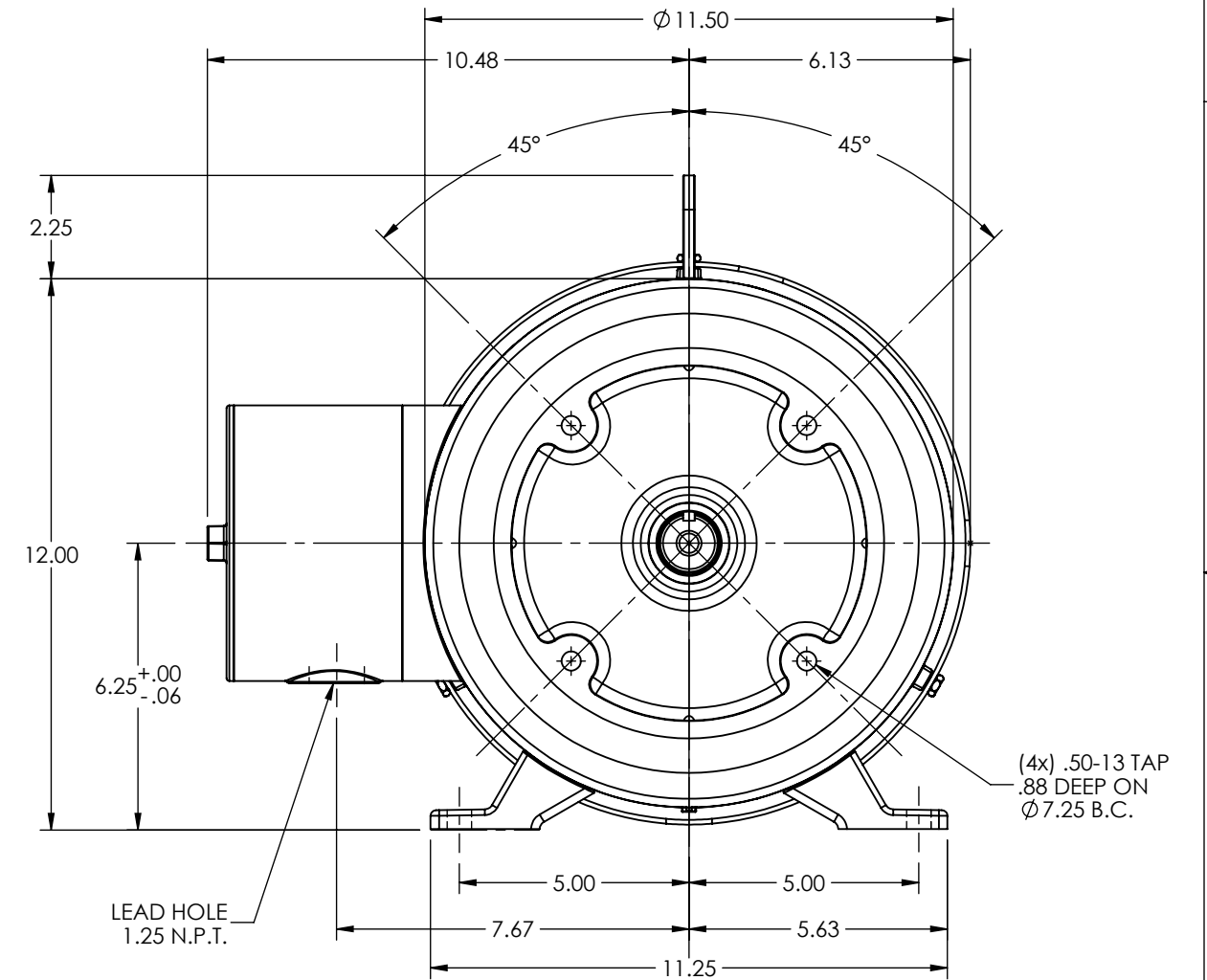
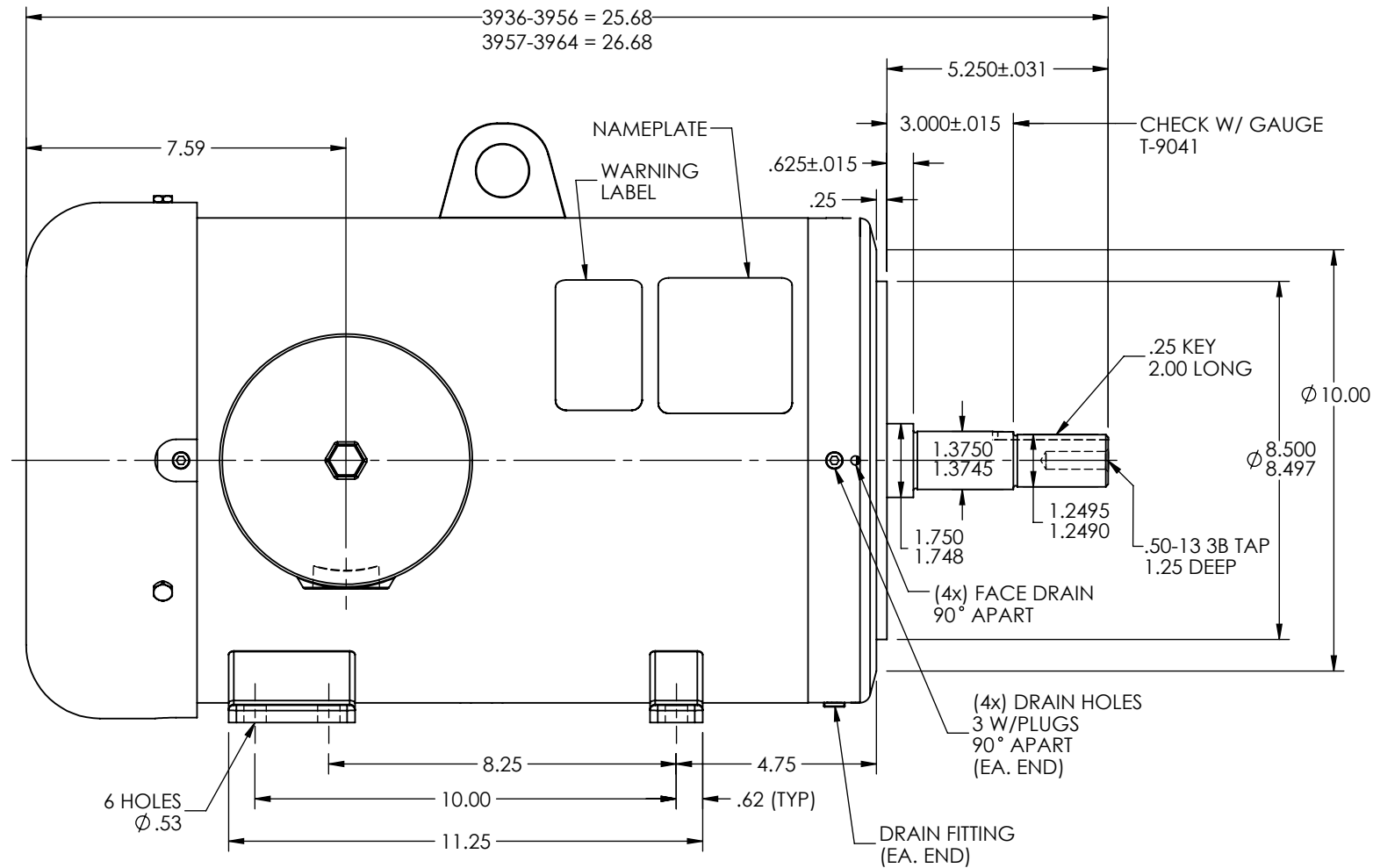
39LYE754

D

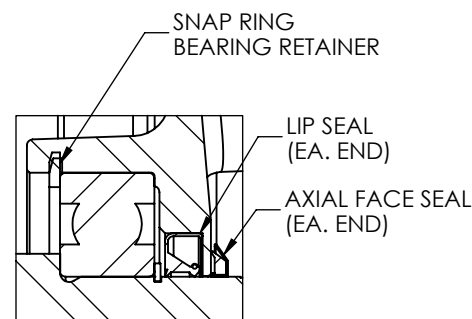
C

B

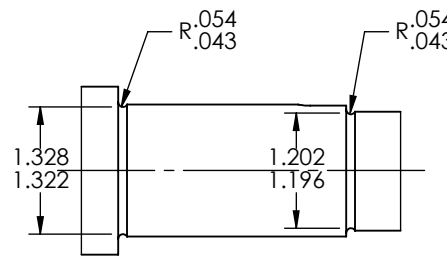
A



FRONT END DETAIL



PULLEY END DETAIL



UNDERCUT DETAIL

CUSTOMER IS RESPONSIBLE FOR DETERMINING THAT THE PRODUCT WILL PERFORM SUITABLY IN THE INTENDED APPLICATION

REV. DESC: NEW			
REV: -	VERSION: 00	REVISED: 09:03:30 05/11/2018	TDR: 000001067157
MODEL NO. 39LYE754			REF: -
BY: ENADAF0			B

BALDOR - RELIANCE®

HORZ TEFC 254-6JM WD11/12

39LYE754

8 7 6 5 4 3 2 1