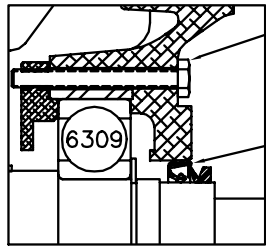
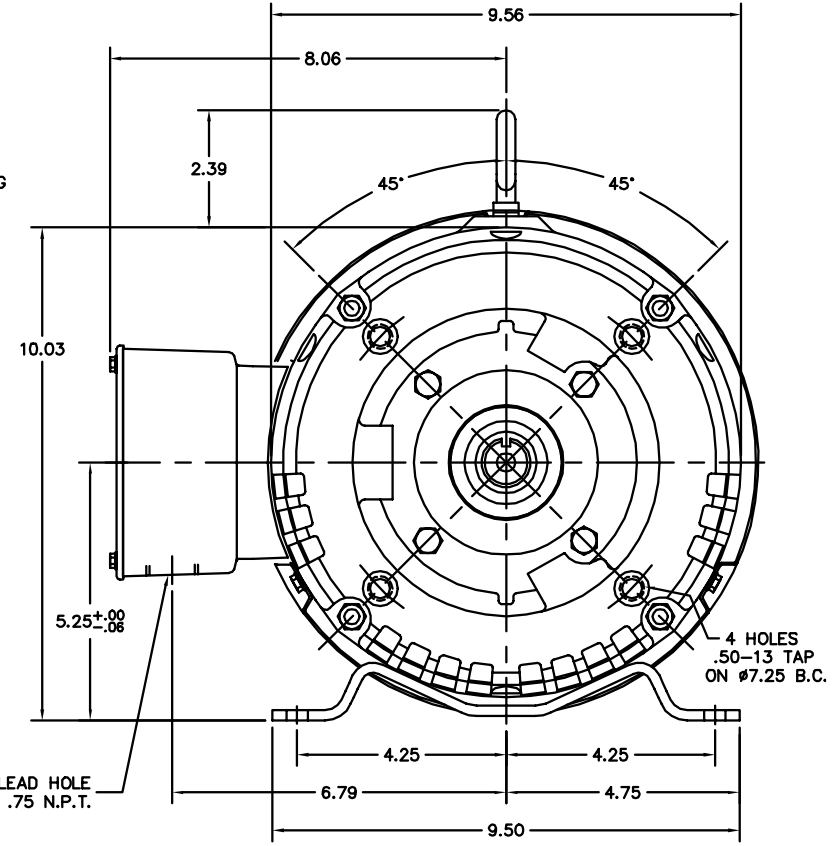
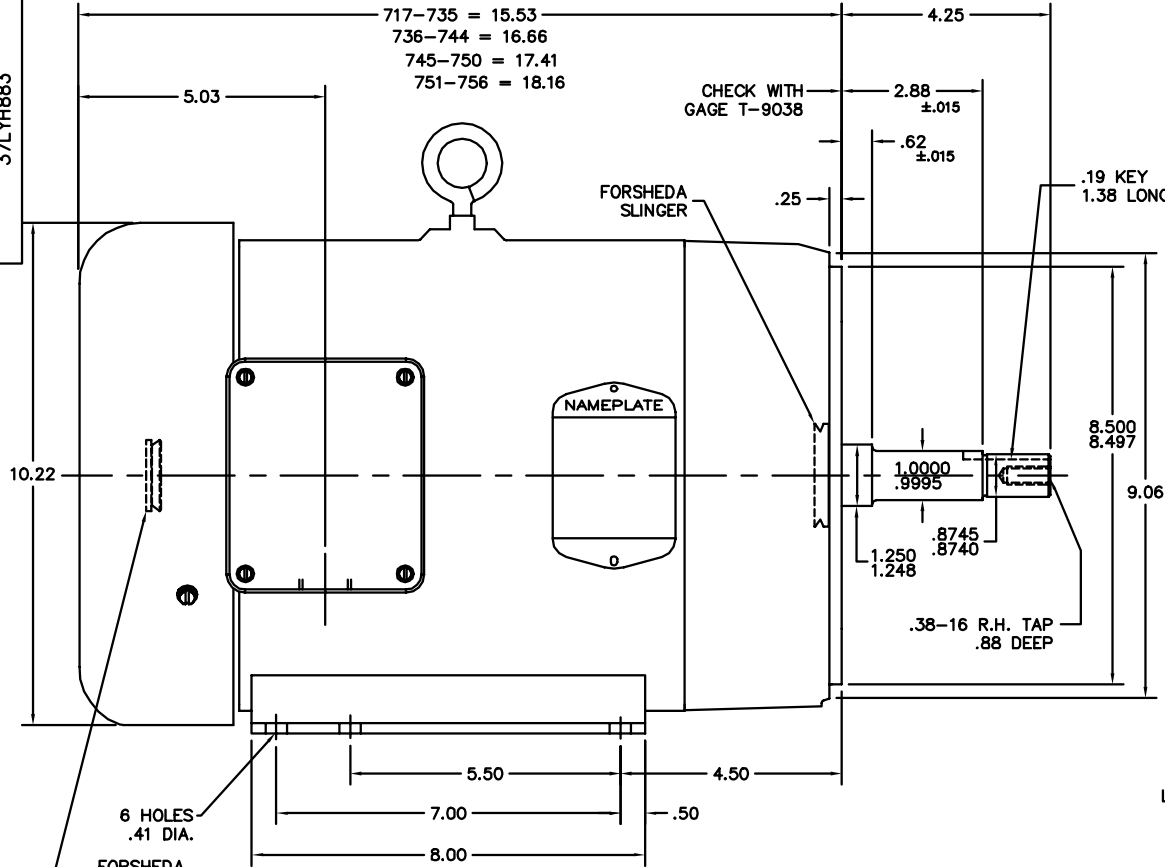


37LYH883



SEAL DETAIL

USE RED SEALER UNDER  
RETAINER SCREW HEADS  
BEFORE INSTALLING

APPLY COAT OF RED  
SEALER TO HOUSING  
BEFORE PRESSING  
SEAL IN.

CUSTOMER IS RESPONSIBLE FOR DETERMINING THAT BALDOR'S PRODUCT WILL PERFORM SUITABLY IN THE INTENDED APPLICATION.

REV. DESC: REPLACE HA1005A02 WITH HW4600B74	VERSION: 03	TDR: 00000783785
REV. LTR: C	REVISED: 03:05:39 05/03/2013	BY: ENCARJO
FILE: \AAA\00093\192	MTL: -	

**BALDOR**

HOR 213-5JM TEFC 37M WD

SH 1 of 1

37LYH883