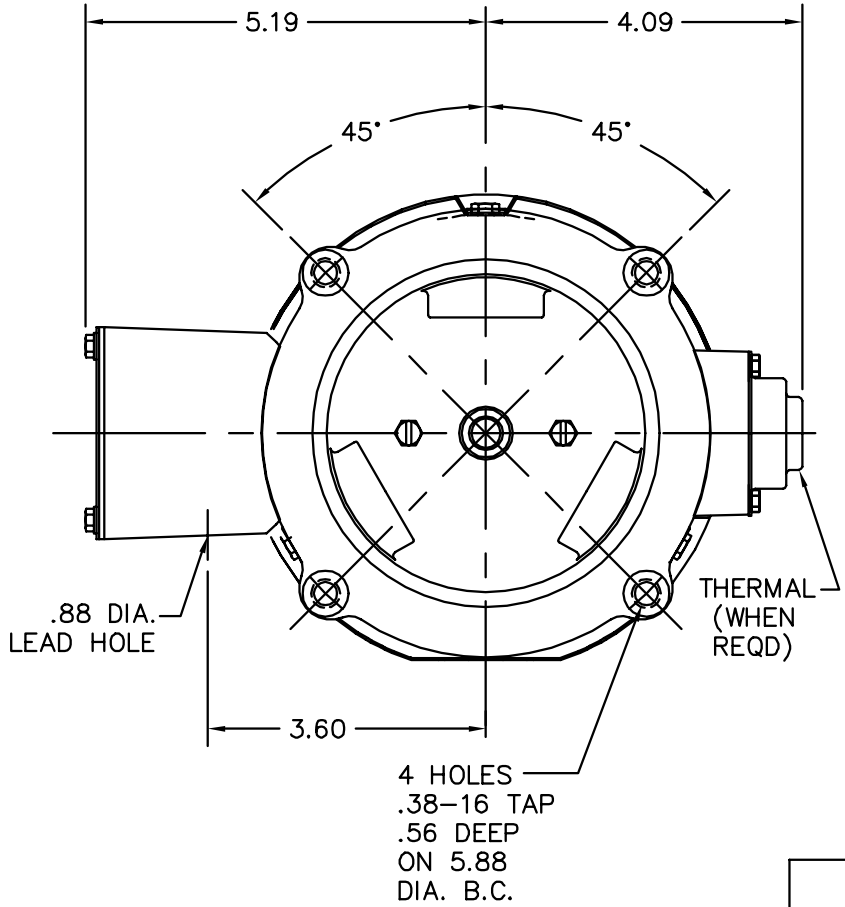
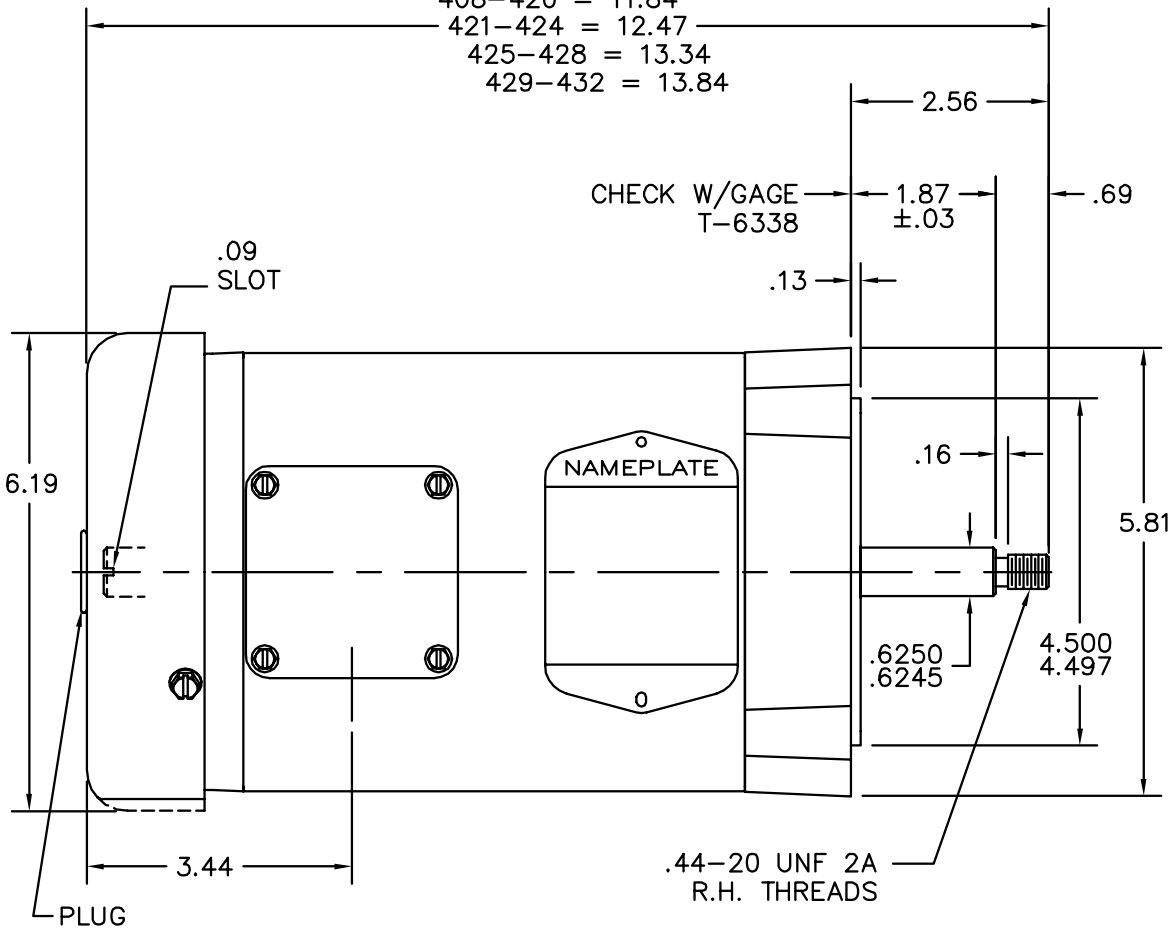


408-420 = 11.84
421-424 = 12.47
425-428 = 13.34
429-432 = 13.84



CUSTOMER IS RESPONSIBLE FOR DETERMINING THAT BALDOR'S PRODUCT WILL PERFORM SUITABLY IN THE INTENDED APPLICATION.

REV. DESC: CHANGE C-DIM		
REV. LTR: G	VERSION: 02	TDR: 00000820866
FILE: \AAA\00026\046	REVISED: 08:53:20 10/04/2013	BY: ENKANVO
MTL: -	⊙ □	

BALDOR

STD VERT MODEL 34M NEMA 56J TEFC

SH 1 of 1

34LYK036