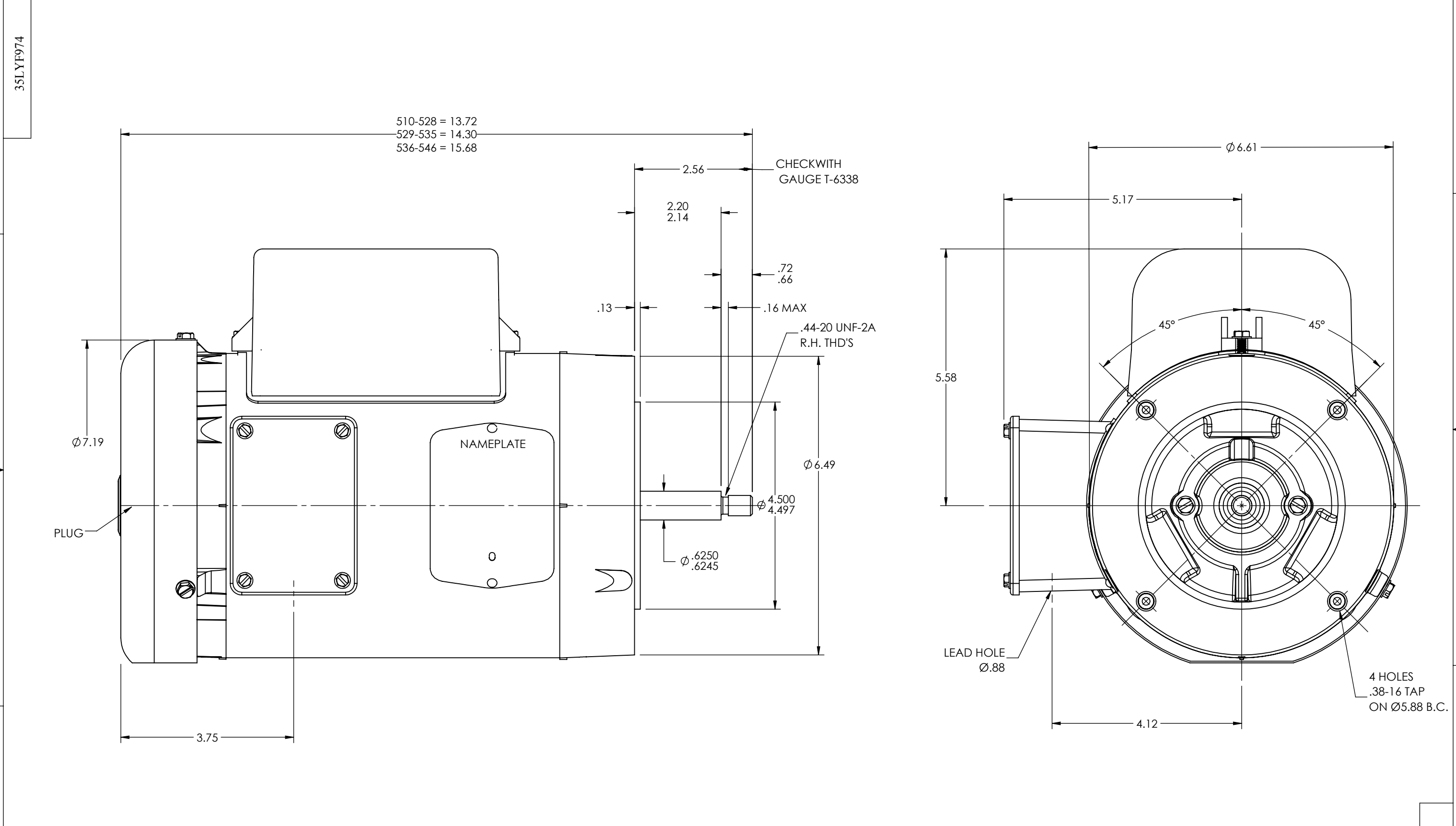


8 7 6 5 4 3 2 1



CUSTOMER IS RESPONSIBLE FOR DETERMINING THAT THE PRODUCT WILL PERFORM SUITABLY IN THE INTENDED APPLICATION

REV. DESC: LOADING OF SWD DWG FOR 2D TO 3D CONVERSION PKG 16			
REV: K	VERSION: 04	REVISED: 02:25:00 02/01/2019	TDR: 000001098202
MODEL NO. 35LYF974		REF: -	
BY: ENALEM0			B

BALDOR - RELIANCE®

STD VERT 56J TEFC 35LC
SH 1 OF 1

8 7 6 5 4 3 2 1

35LYF974