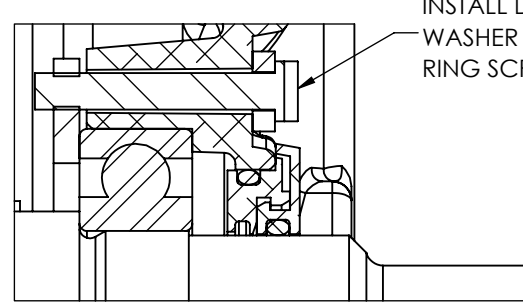
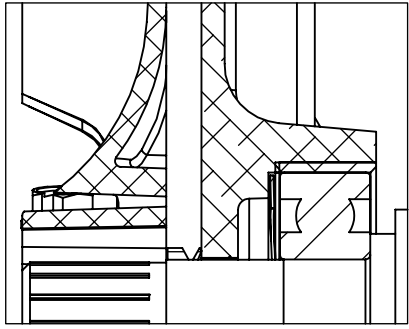
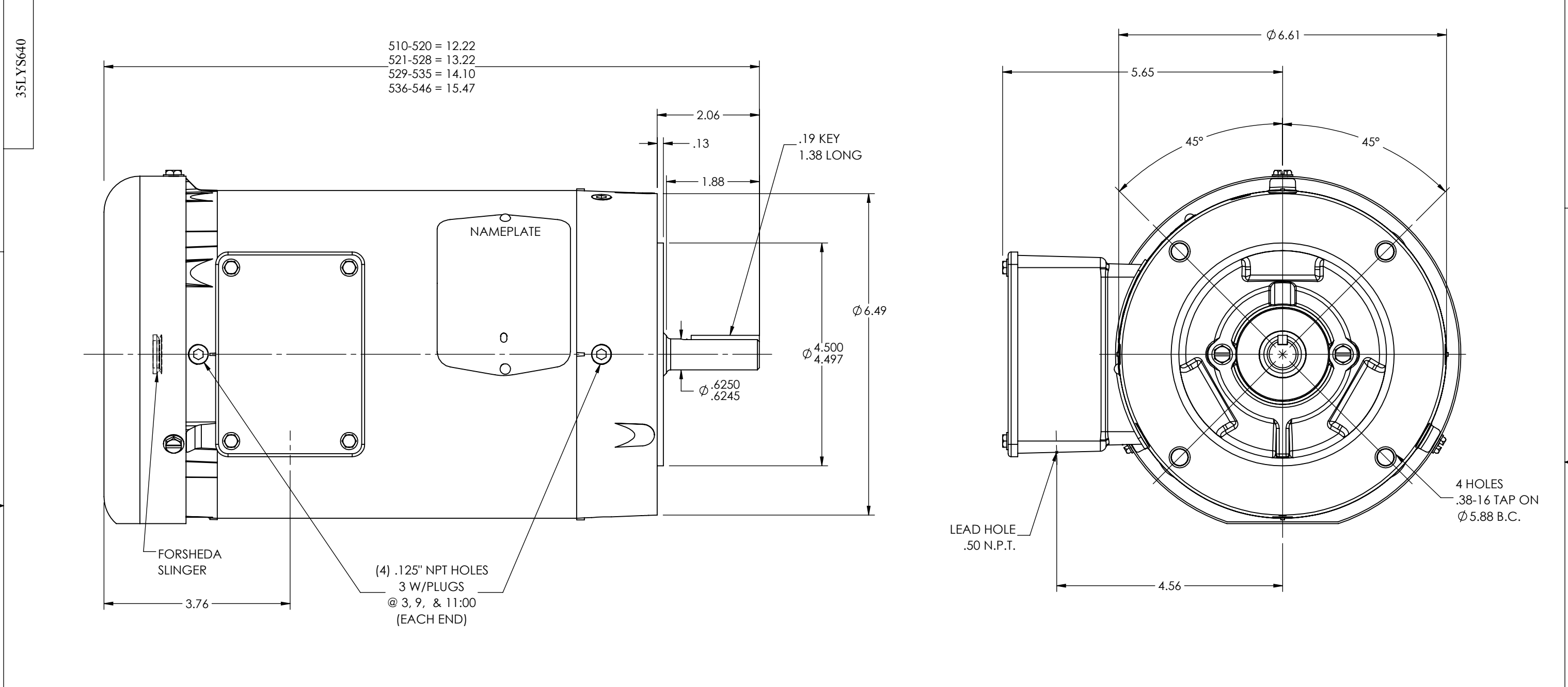


8 7 6 5 4 3 2 1



CUSTOMER IS RESPONSIBLE FOR DETERMINING THAT THE PRODUCT WILL PERFORM SUITABLY IN THE INTENDED APPLICATION

REV. DESC: LOADING OF SWD DWG FOR 2D TO 3D CONVERSION PKG 15			
REV: F	VERSION: 06	REVISED: 01:15:34 01/21/2019	TDR: 000001096905
MODEL NO. 35LYS640		REF: -	
BY: ENALEM0		B	

BALDOR - RELIANCE®

VERT 56C TEFC 35M WD2 (PAINT FREE)
SH 1 of 1

8 7 6 5 4 3 2 1

35LYS640