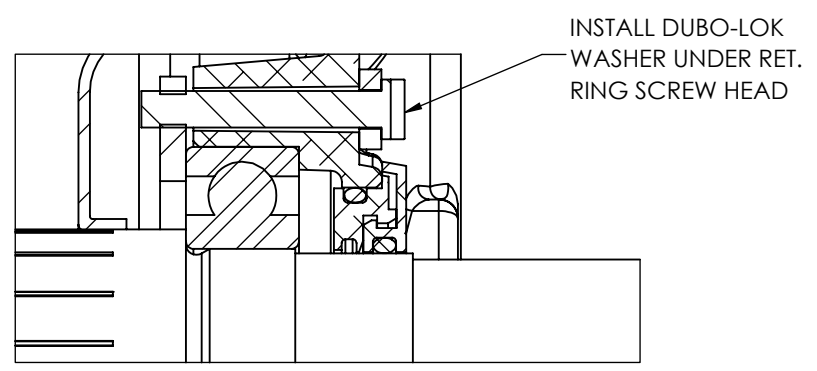
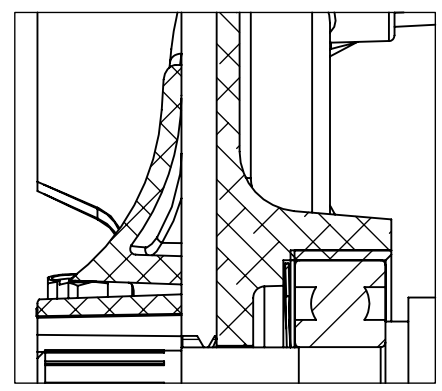
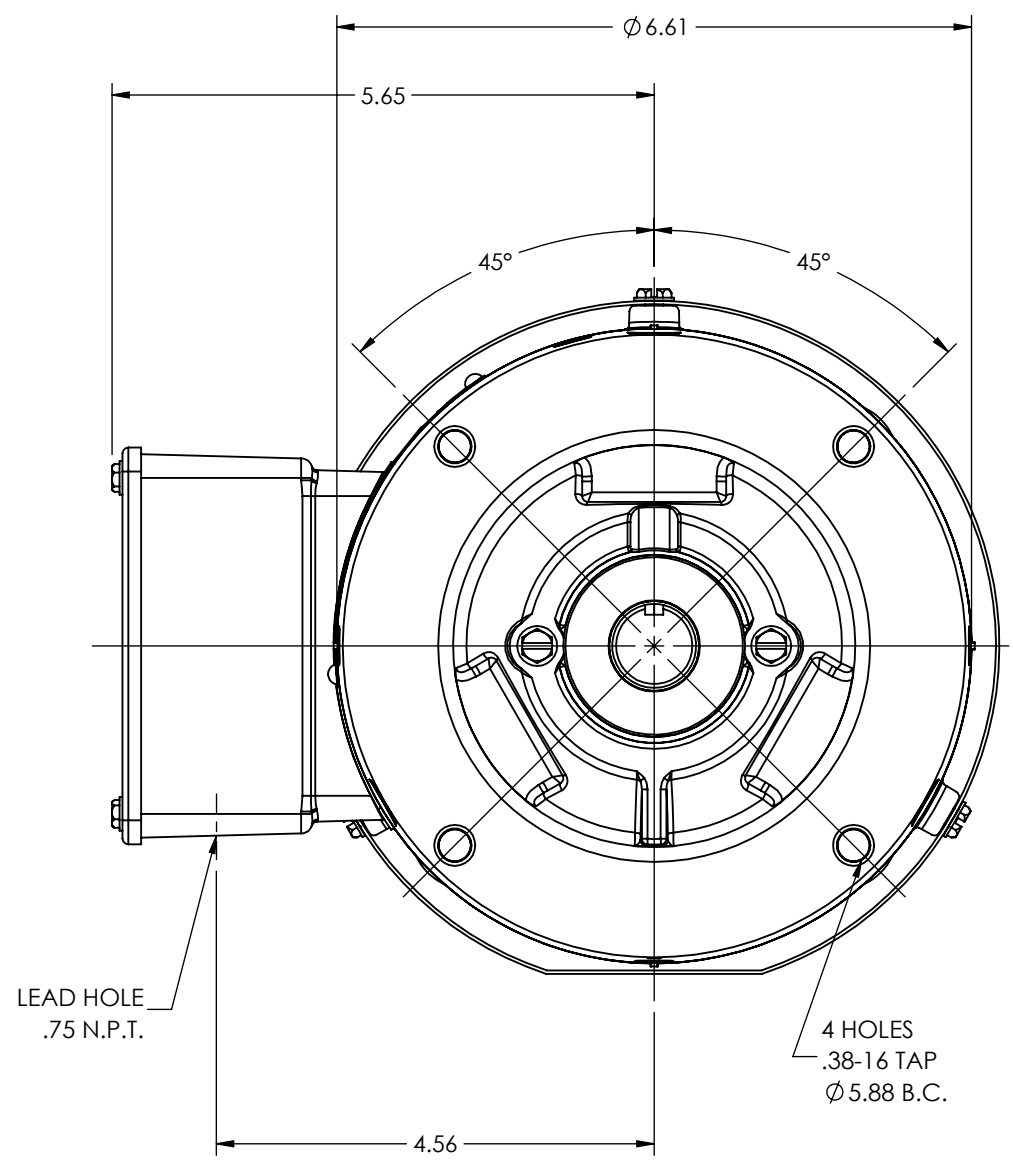
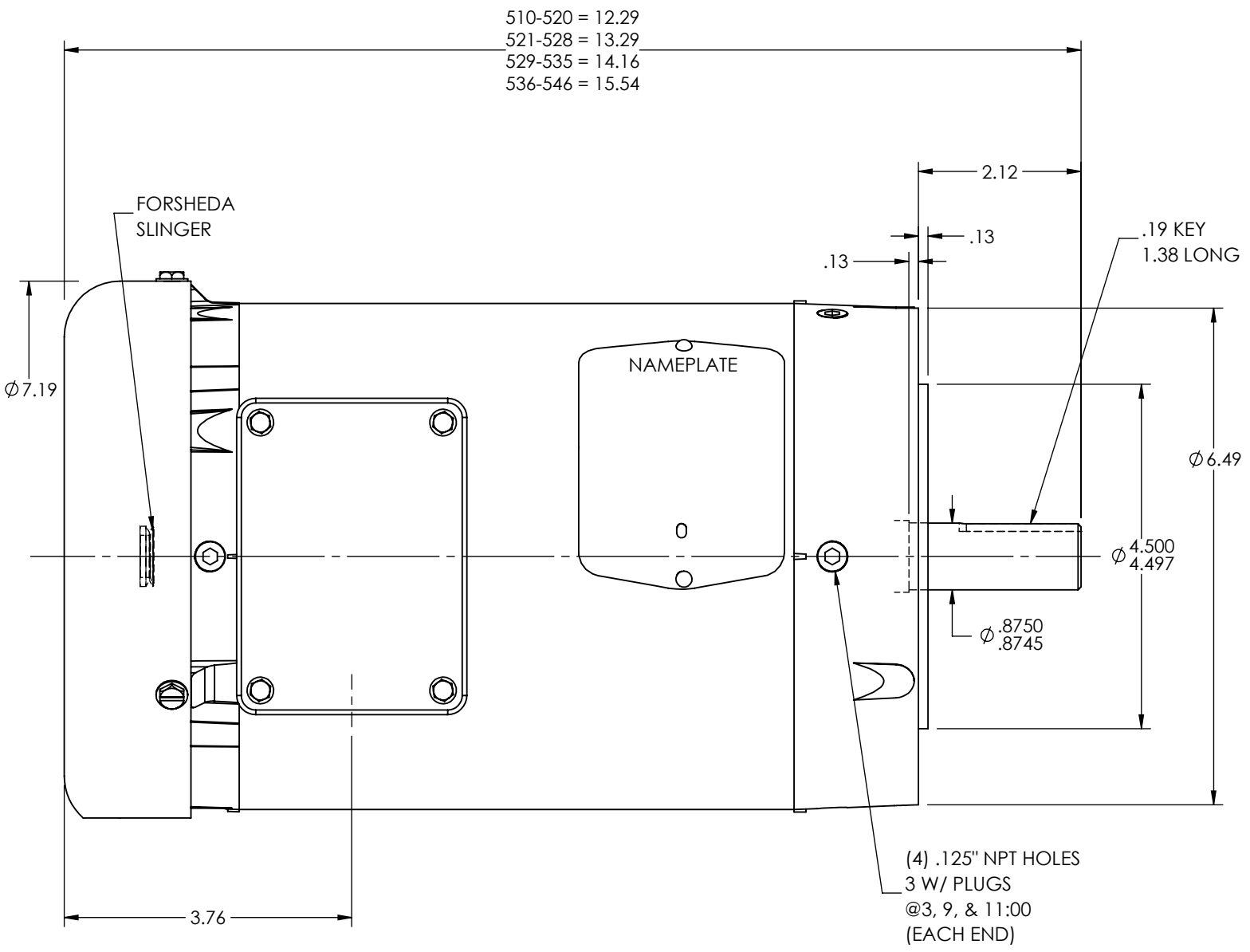


8 7 6 5 4 3 2 1

35LYSS636

D
C
B
A



A

A

CUSTOMER IS RESPONSIBLE FOR DETERMINING THAT THE PRODUCT WILL PERFORM SUITABLY IN THE INTENDED APPLICATION

REV. DESC: LOADING OF SWD DWG FOR 2D TO 3D CONVERSION PKG 15			
REV: C	VERSION: 03	REVISED: 01:51:34 01/21/2019	TDR: 000001096905
MODEL NO. 35LYSS636			REF: -
BY: ENALEM0			B

BALDOR - RELIANCE®

VER 143-5TC TEFC 35M WD2 INVERTER, RAISED LTR, .75 NPT LH
SH 1 of 1

35LYSS636

8 7 6 5 4 3 2 1