

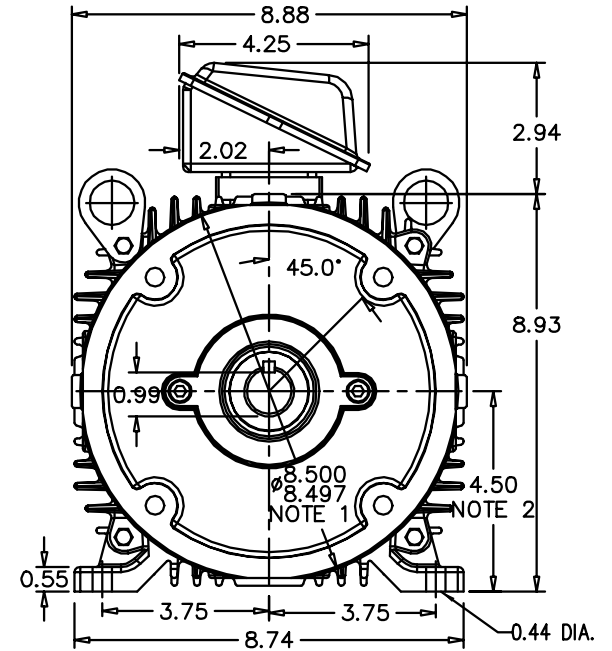
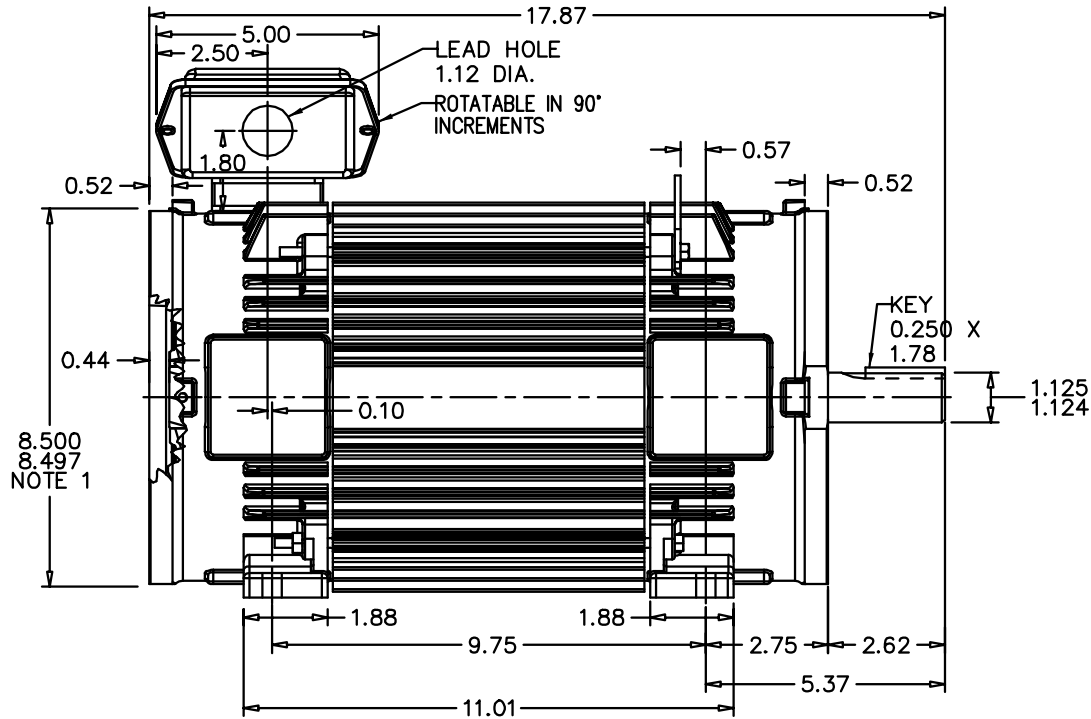
617228-003

RPM-AC FINNED FRAME VARIABLE SPEED ALTERNATING CURRENT MOTOR FL1838C

ENCLOSURE: TOTALLY ENCLOSED
MOUNTING: FOOT / NEMA 180TC C-FACE
DRIVE METHOD: COUPLED OR BELTED

COOLING: NON-VENTILATED

ACCESSORIES: PROVISIONS FOR TACHOMETER MOUNTING ONLY WHEN SPECIFIED



- NOTE 1: C-FACE & TACHOMETER MOUNTING
1/2-13 TAP, 1.00 DEEP, ON A 7.25 DIA. BOLT CIRCLE
FACE RUNOUT AND ECCENTRICITY 0.004 MAX. T.I.R.
- NOTE 2: SHAFT HEIGHT WILL NOT BE EXCEEDED
SHIMS UP TO 0.03 INCHES IN THICKNESS ARE USUALLY
REQUIRED FOR COUPLED OR GEARED MACHINES

TERMINAL BOX MAY BE LOCATED F1 OR F2 IF SPECIFIED
40 AMP STEEL TERMINAL BOX SHOWN
REFER TO 616779-50 FOR SPECIFIED TERMINAL BOX DIMENSIONS
REFER TO 616779-55 FOR SPECIFIED TACHOMETER DIMENSIONS

MOTOR WEIGHT: 143 LBS. (MAY VARY 15%)
DIMENSIONS ARE IN INCHES SCALE: 1.00

CUSTOMER IS RESPONSIBLE FOR DETERMINING THAT BALDOR'S PRODUCT WILL PERFORM SUITABLY IN THE INTENDED APPLICATION.

| | | |
|---|------------------------------|------------------|
| REV. DESC: ADD DIMENSION FROM FOOT HOLE TO END OD SHAFT | | |
| REV. LTR: A | VERSION: 01 | TDR: 00000892384 |
| FILE: \RGG\00003\495 | REVISED: 12:55:38 02/12/2015 | BY: RGGWT |
| MTL: - | | |

BALDOR

DIM SHT RPM AC TE NON VENT FL1838C FT / 180TC MTG PROV TACH
SH 1 of 1

617228-003