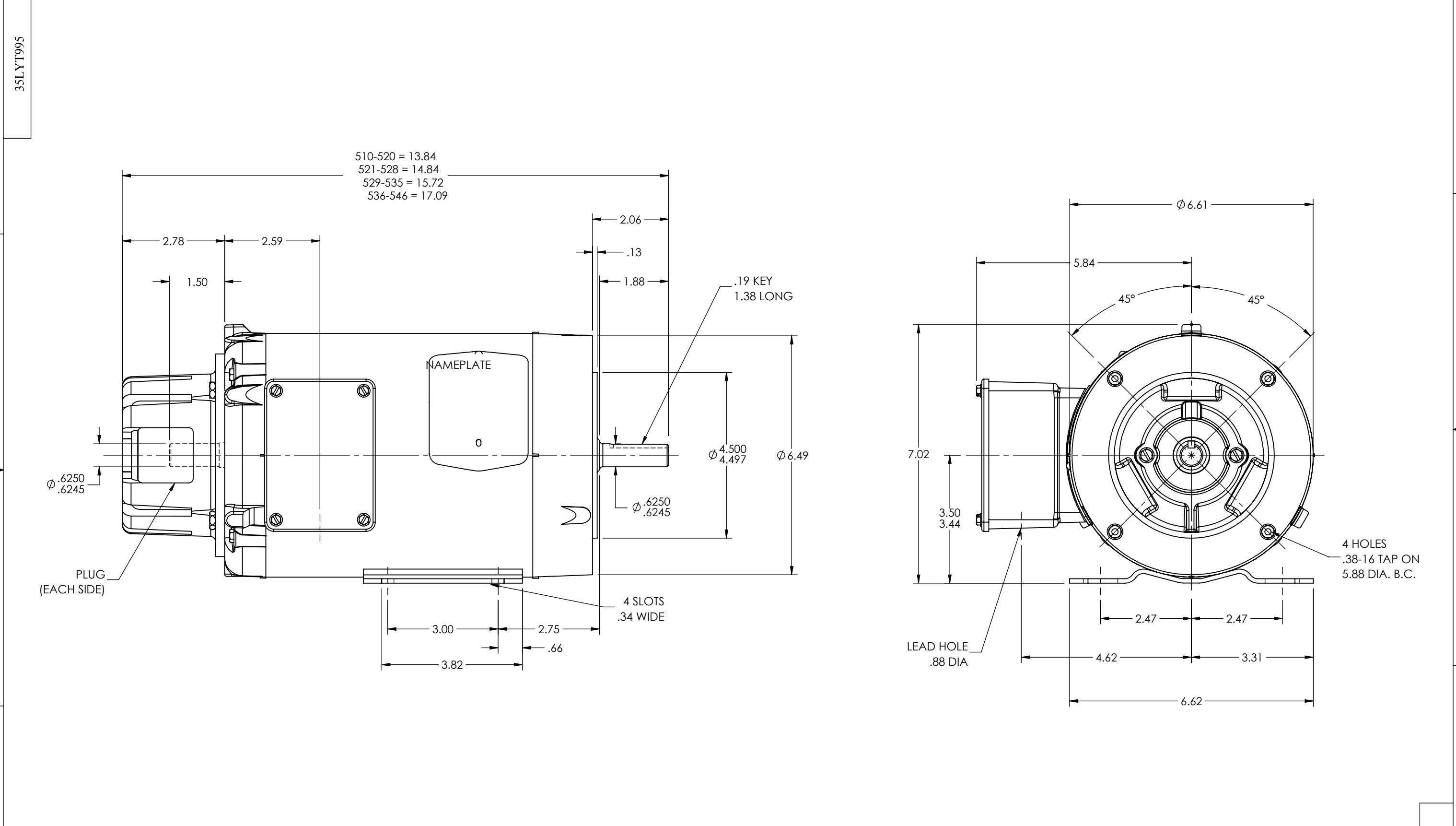



8 7 6 5 4 3 2 1



CUSTOMER IS RESPONSIBLE FOR DETERMINING THAT BALDOR'S PRODUCT WILL PERFORM SUITABLY IN THE INTENDED APPLICATION.

REV. DESC: LOADING OF SWD DWG FOR 2D TO 3D CONVERSION			
REV: G	VERSION: 07	REVISED: 03:18:22 10/31/2018	TDR: 000001089746
MODEL NO: 35LYT995			REF: -
BY: ENALEM0	Material: -	 B	

BALDOR - RELIANCE®

HORZ 56C TENV 35M INVERTER (THRU-SH ENC W/ COVER)
 SH 1 of 1

35LYT995

8 7 6 5 4 3 2 1