

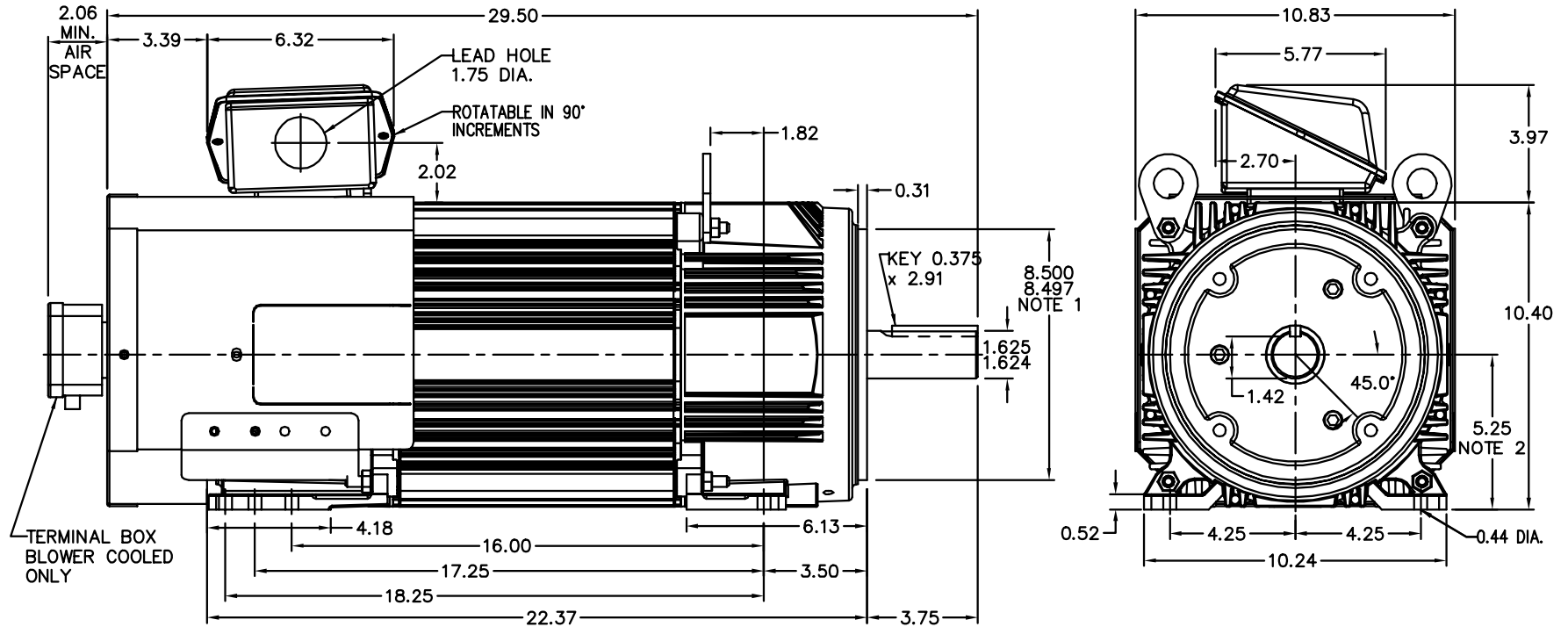
# RPM-AC FINNED FRAME VARIABLE SPEED ALTERNATING CURRENT MOTOR FL2173CZ

ENCLOSURE: TOTALLY ENCLOSED  
 MOUNTING: FOOT / NEMA 250TC C-FACE  
 DRIVE METHOD: COUPLED OR BELTED

COOLING: BLOWER COOLED or  
 FAN COOLED

ACCESSORIES: PROVISIONS FOR  
 TACHOMETER MOUNTING  
 ONLY WHEN SPECIFIED

617525-023



NOTE 1: C-FACE & TACHOMETER MOUNTING  
 1/2-13 TAP, 1.00 DEEP, ON A 7.25 DIA. BOLT CIRCLE  
 FACE RUNOUT AND ECCENTRICITY 0.004 MAX. T.I.R.

NOTE 2: SHAFT HEIGHT WILL NOT BE EXCEEDED  
 SHIMS UP TO 0.03 INCHES IN THICKNESS ARE USUALLY  
 REQUIRED FOR COUPLED OR GEARED MACHINES

TERMINAL BOX MAY BE LOCATED F1 OR F2 IF SPECIFIED  
 61 AMP STEEL TERMINAL BOX SHOWN  
 REFER TO 616779-50 FOR SPECIFIED TERMINAL BOX DIMENSIONS  
 REFER TO 616779-55 FOR SPECIFIED TACHOMETER DIMENSIONS

MOTOR WEIGHT: 355 LBS. (MAY VARY 15%)  
 DIMENSIONS ARE IN INCHES SCALE: 1.00

CUSTOMER IS RESPONSIBLE FOR DETERMINING THAT BALDOR'S PRODUCT WILL PERFORM SUITABLY IN THE INTENDED APPLICATION.

REV. DESC: ADDED C-FACE DEPTH DIMENSION		
REV. LTR: A	VERSION: 01	TDR: 000000493632
FILE: \RGG\00003\328	REVISED: 13:56:08 03/13/2009	BY: CONDLM
MTL: -		

**BALDOR • DODGE • RELIANCE**

DIM SHT FL2173CZ RPM AC TEBC/FC FT/NEMA 250TC C FACE MTG

SH 1 of 1

617525-023