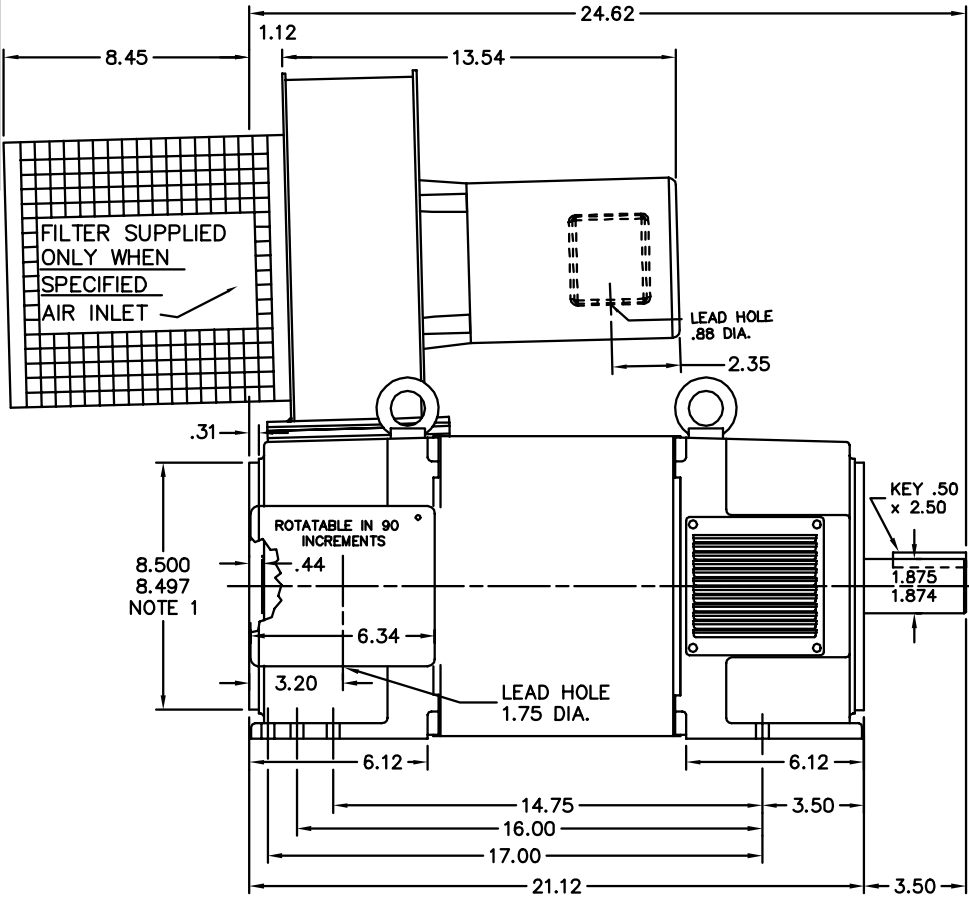


617206-001

ENCLOSURE: DRIPPROOF  
 MOUNTING: FOOT  
 DRIVE METHOD: COUPLED OR BELTED

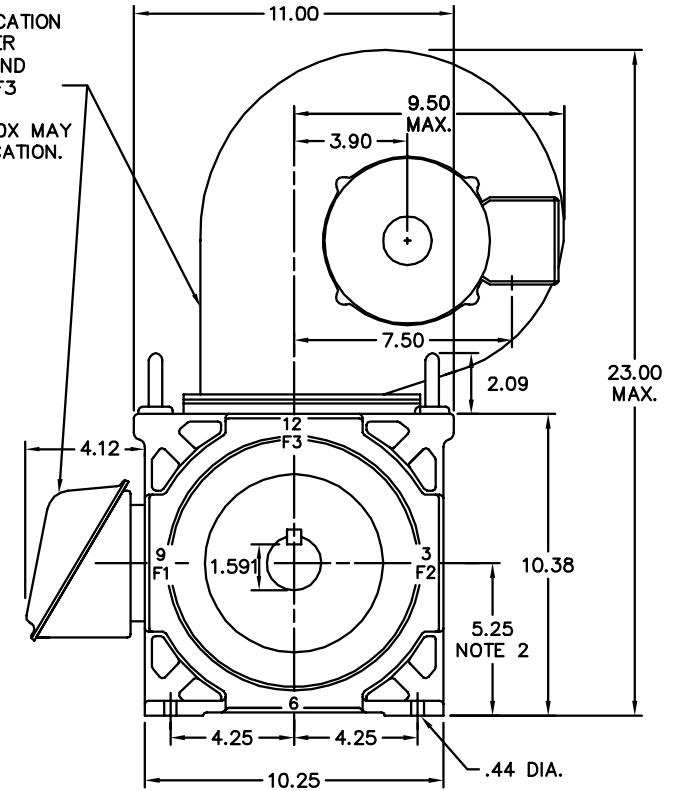
**RPMAC VARIABLE SPEED ALTERNATING CURRENT MOTOR  
 RL & URL2168Z**

COOLING: FORCE VENTILATED  
 ACCESSORIES: PROVISIONS FOR  
 TACHOMETER MOUNTING  
 ONLY WHEN SPECIFIED



REFER TO MOTOR SPECIFICATION  
 FOR LOCATIONS OF BLOWER  
 3, 6, 9 OR 12 O'CLOCK AND  
 CONDUIT BOX F1, F2 OR F3

BLOWER AND TERMINAL BOX MAY  
 NOT BE IN THE SAME LOCATION.



MOTOR WEIGHT 345 LBS. (MAY VARY 15%)  
 DIMENSIONS ARE IN INCHES SCALE 1:1

NOTE 1 TACHOMETER MOUNTING  
 1/2-13 TAP, .88 DEEP, ON A 7.25 DIA. BOLT CIRCLE  
 FACE RUNOUT AND ECCENTRICITY .004 MAX. T.I.R.

NOTE 2 SHAFT HEIGHT WILL NOT BE EXCEEDED.  
 SHIMS UP TO .03 INCHES IN THICKNESS ARE USUALLY  
 REQUIRED FOR COUPLED OR GEARED MACHINES.

61 AMP STEEL CONDUIT BOX SHOWN  
 REFER TO 616779-50 FOR SPECIFIC CONDUIT BOX DIMENSIONS  
 REFER TO 616779-51 FOR SPECIFIC TACHOMETER DIMENSIONS

CUSTOMER IS RESPONSIBLE FOR DETERMINING THAT THIS PRODUCT WILL PERFORM SUITABLY IN THE INTENDED APPLICATION.

REV. DESC: ADD BLOWER AND CONDUIT BOX LOCATION NOTE		
REV. LTR: B	VERSION: 02	TDR: 000001084751
FILE: \RGG\00003\054	REVISED: 01:11:25 09/18/2018	BY: RGGWT
MTL: -		

**BALDOR - RELIANCE®**

DIM SHT RPMAC DPFV RL & URL2168Z PROV FOR TACH

SH 1 of 1

617206-001